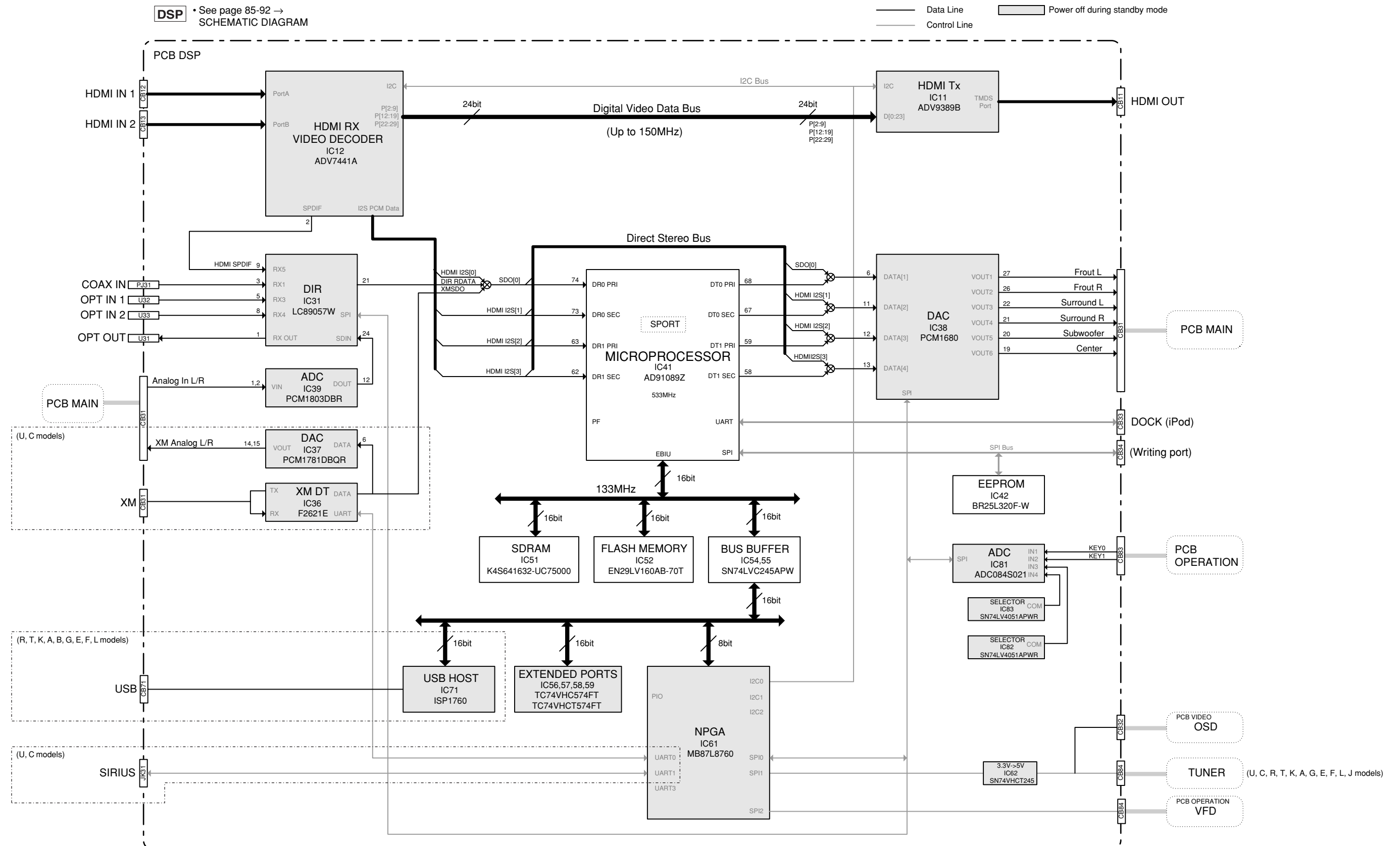
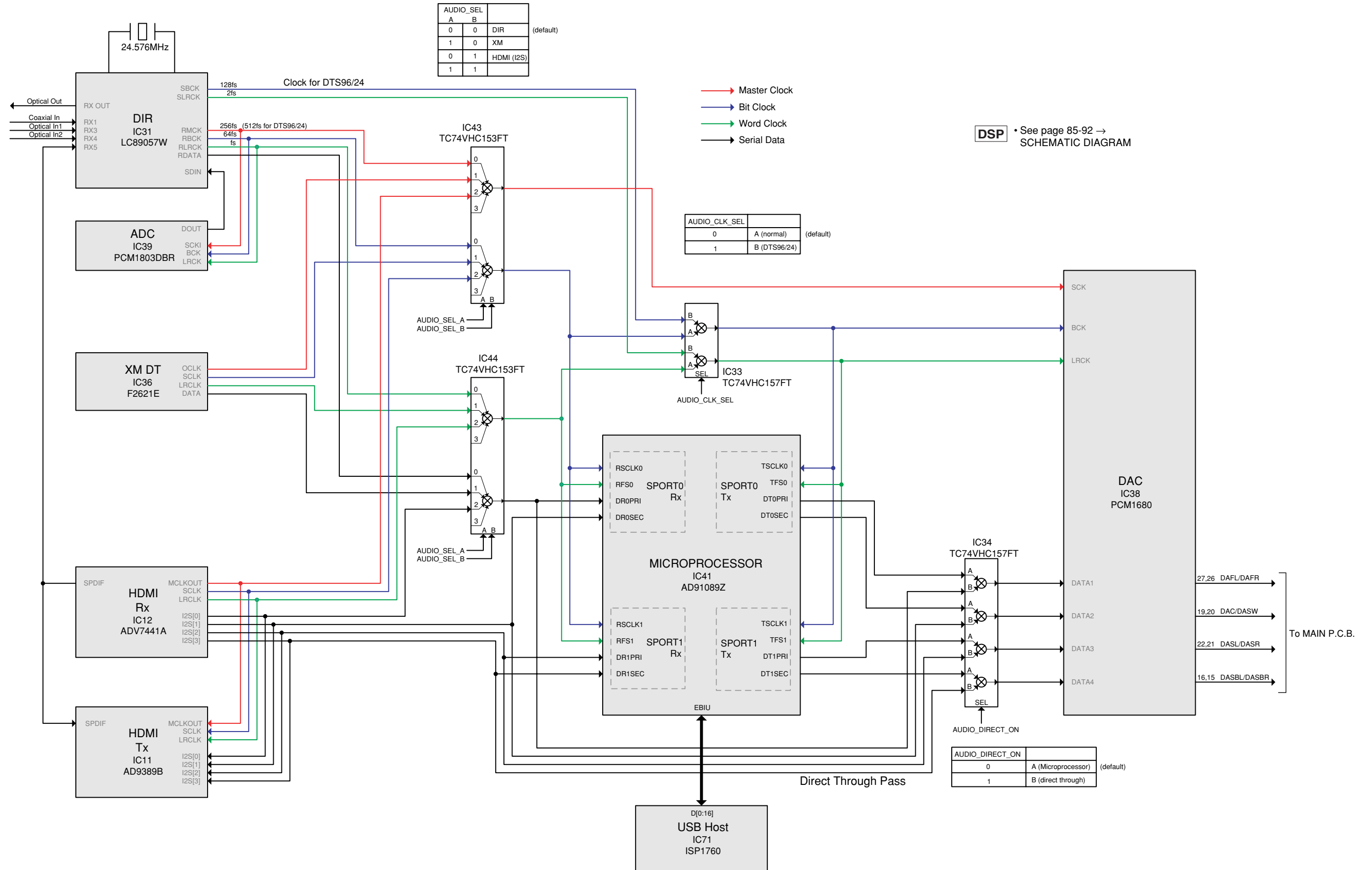


1 ■ BLOCK DIAGRAMS

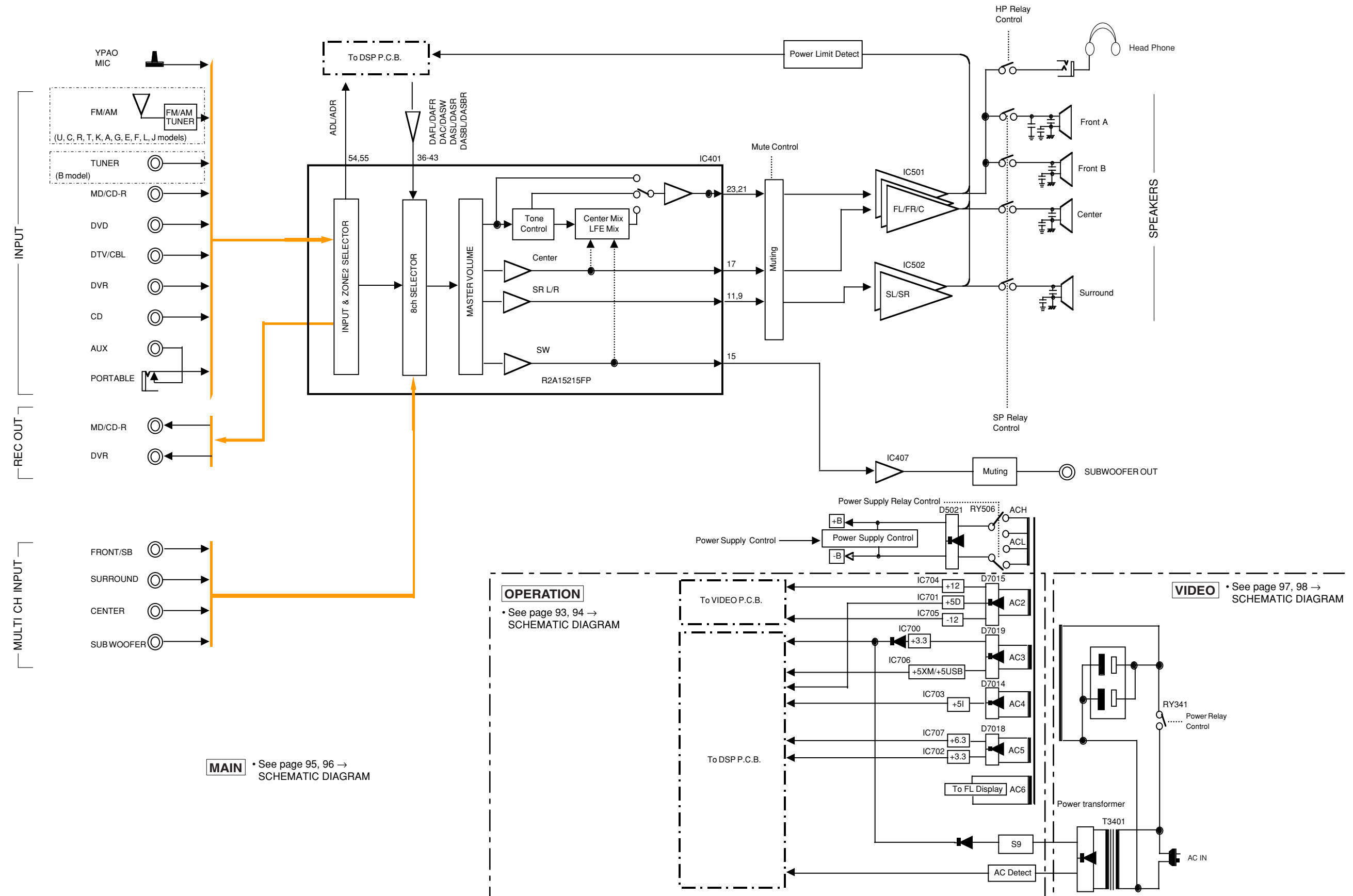
AUDIO (DIGITAL) SECTION BLOCK DIAGRAM



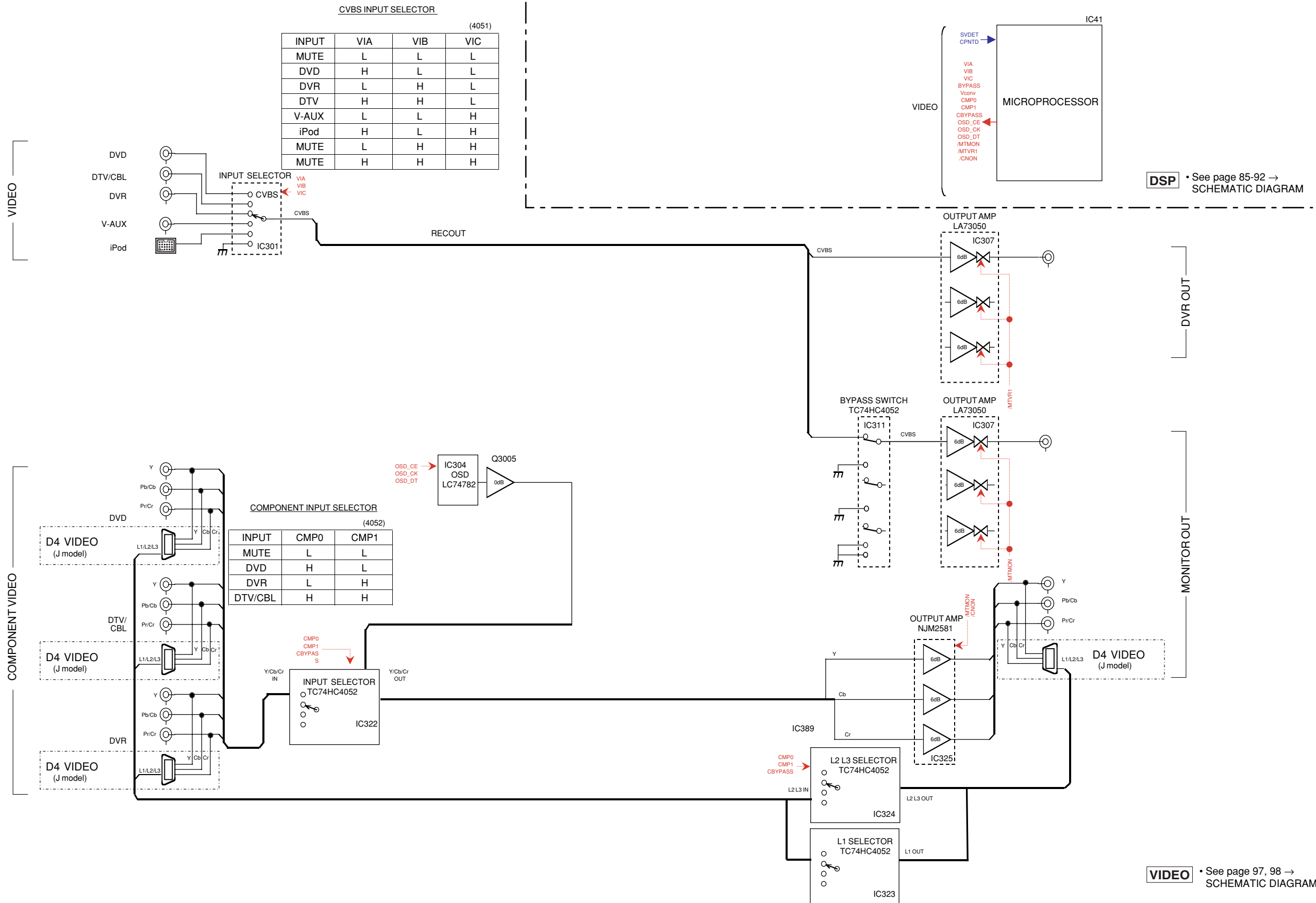
DSP CONTROL SECTION BLOCK DIAGRAM



AUDIO (ANALOG) / POWER SUPPLY SECTION BLOCK DIAGRAM



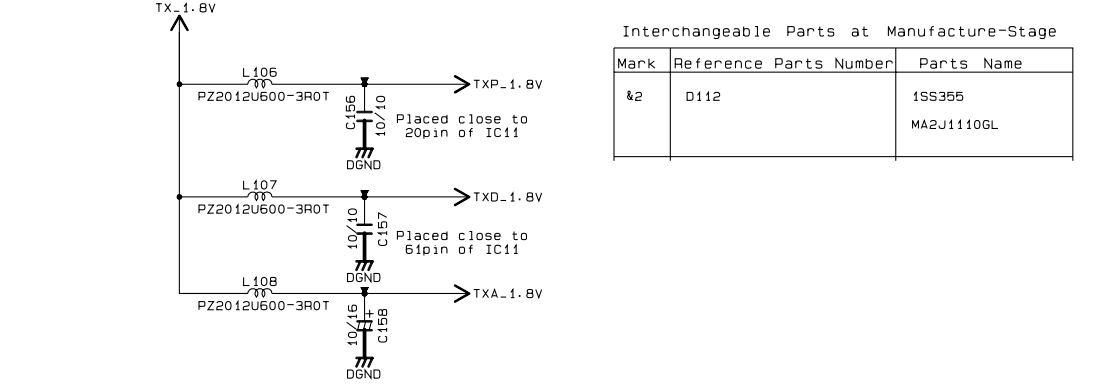
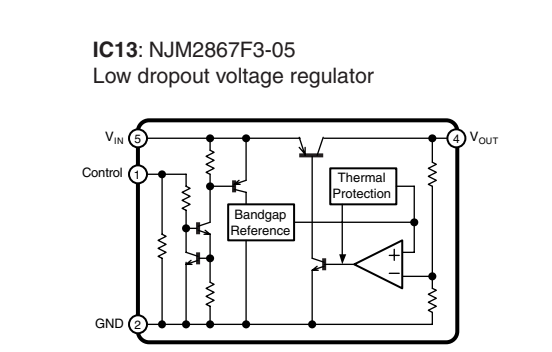
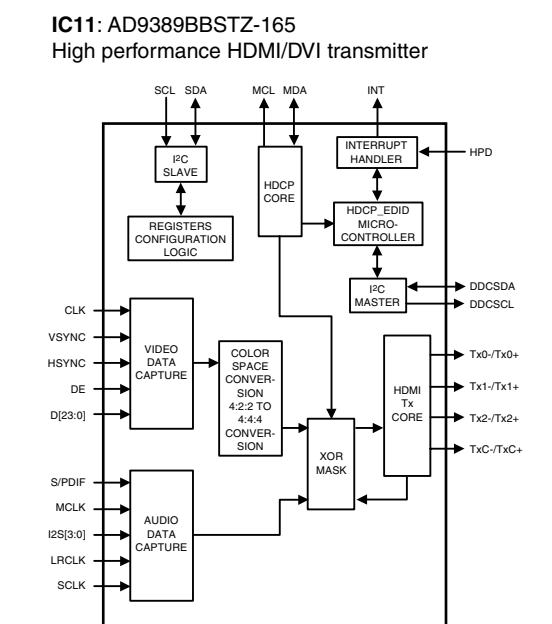
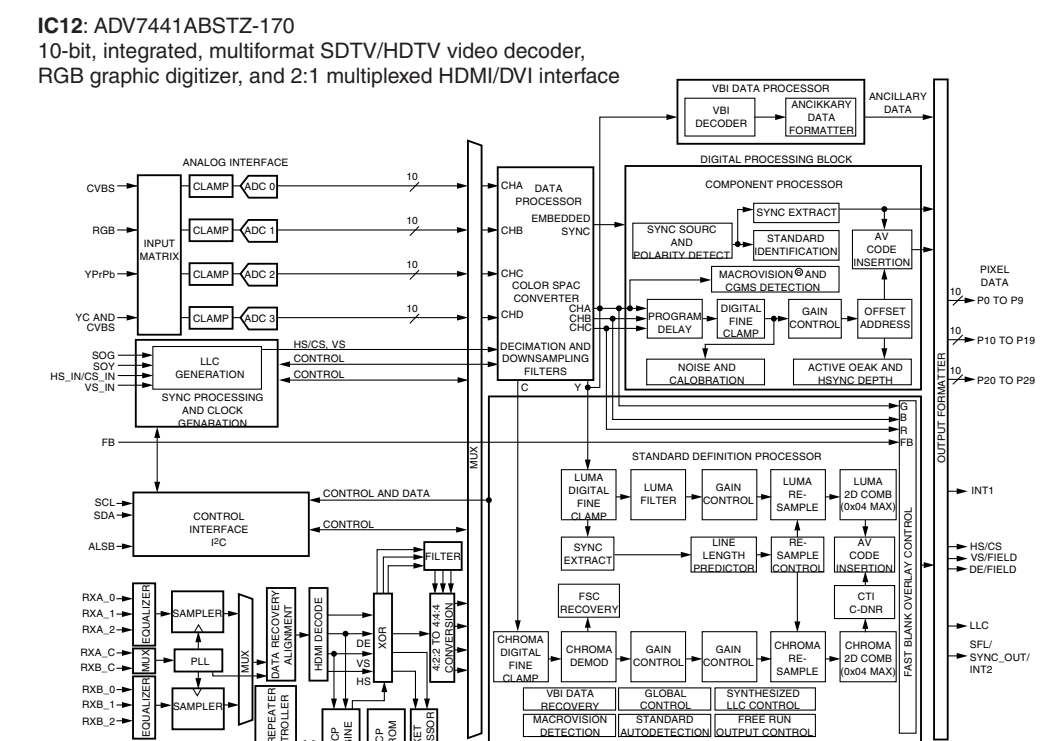
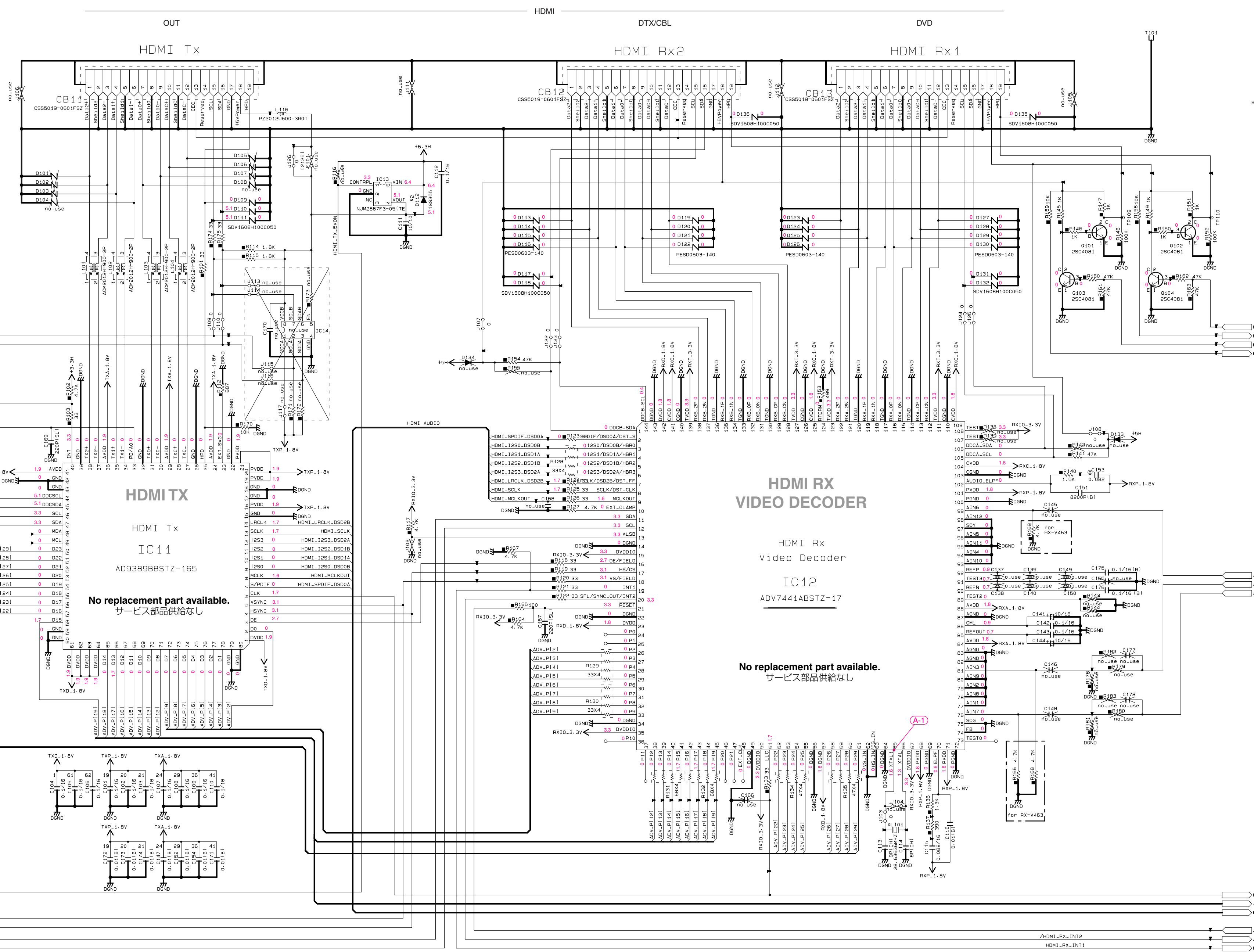
VIDEO SECTION BLOCK DIAGRAM



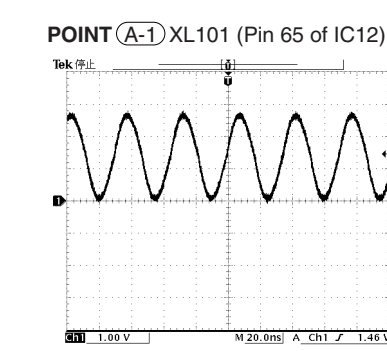
DSP • See page 85-92 → SCHEMATIC DIAGRAM

VIDEO • See page 97, 98 → SCHEMATIC DIAGRAM

SCHEMATIC DIAGRAMS
DSP 1/8



NOTICE (model)
(J)..... JAPAN
(U)..... U.S.A.
(C)..... CANADA
(R)..... GENERAL
(T)..... CHINA
(K)..... KOREA
(A)..... AUSTRALIA
(B)..... BRITISH
(G)..... EUROPE
(L)..... SINGAPORE
(E)..... SOUTH EUROPE
(V)..... TAIWAN
(F)..... RUSSIAN



* All voltages are measured with a 10MΩ/DC electronic voltmeter.
* Components having special characteristics are marked with a triangle, and must be replaced with parts having specifications equal to those originally installed.
* Schematic diagram is subject to change without notice.

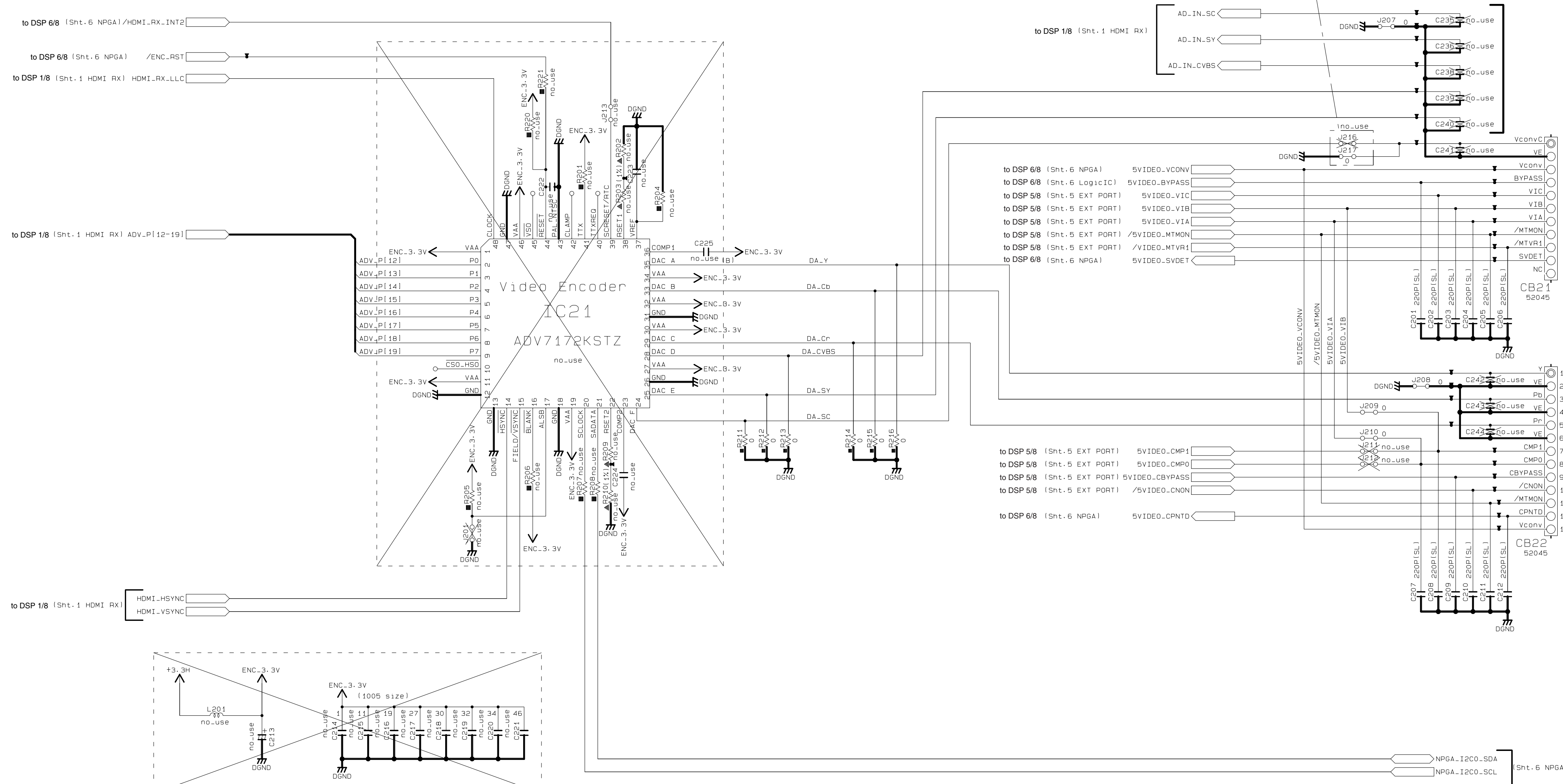
●電圧は、内部抵抗10MΩの電圧計で測定したものです。
●△印のある部品は、安全性確保部品を示しています。部品の交換が必要な場合、パーツリストに記載されている部品を使用してください。
●本回路図は標準回路図です。改良のため予告なく変更することがございます。

REMARKS	PARTS NAME	CAPACITOR	PARTS NAME
NO MARK	CARBON FILM RESISTOR (P=5)	NO MARK	ELECTROLYTIC CAPACITOR
△	CARBON FILM RESISTOR (P=10)	⊗	TANTALUM CAPACITOR
□	METAL OXIDE FILM RESISTOR	●	CERAMIC TUBULAR CAPACITOR
△	METAL FILM RESISTOR	⊙	POLYESTER FILM CAPACITOR
△	METAL PLATE RESISTOR	⊖	POLYSTYRENE FILM CAPACITOR
△	FIRE PROOF CARBON FILM RESISTOR	Ⓣ	MICA CAPACITOR
□	CEMENT MOLDED RESISTOR	Ⓞ	POLYPROPYLENE FILM CAPACITOR
⊖	SEMI VARIABLE RESISTOR	●	SEMICONDUCTIVE CERAMIC CAPACITOR
■	CHIP RESISTOR		

1
2
3
4
5
6
7
8
9
10

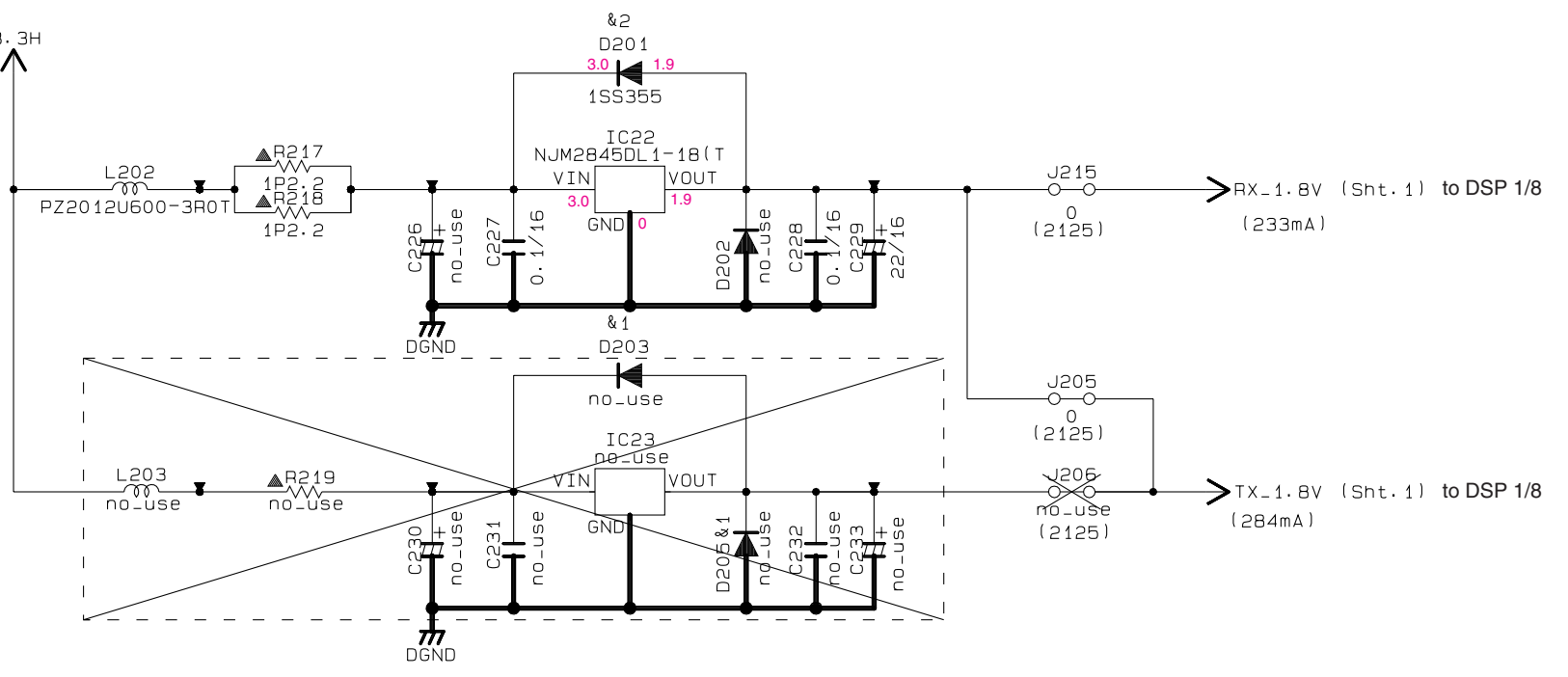
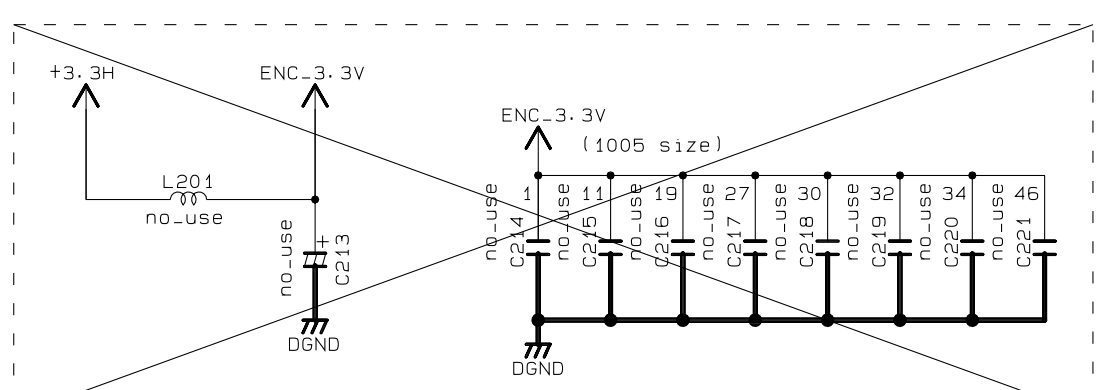
DSP 2/8

	RX-V553	RX-V463
J216	mount	no mount
J217	no mount	mount



Page 97 [K2]
to VIDEO (1)_CB302

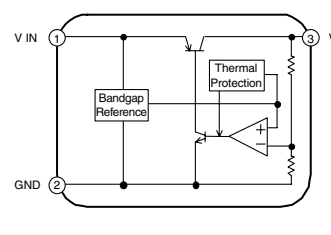
Page 98 [D1]
to VIDEO (2)_CB326



Interchangeable Parts at Manufacture-Stage

Mark	Reference Parts Number	Parts Name
42	D201	1S5355 MA2J1110GL

IC22: NJM2845DL1-18
Low dropout voltage regulator



REMARKS	PARTS NAME
NO MARK	CARBON FILM RESISTOR (P=5)
□	CARBON FILM RESISTOR (P=10)
△	METAL OXIDE FILM RESISTOR
⊗	METAL FILM RESISTOR
⊙	METAL PLATE RESISTOR
⊚	FIRE PROOF CARBON FILM RESISTOR
⊛	CEMENT MOLDED RESISTOR
⊜	SEMI VARIABLE RESISTOR
■	CHIP RESISTOR

REMARKS	PARTS NAME
NO MARK	ELECTROLYTIC CAPACITOR
⊗	TANTALUM CAPACITOR
NO MARK	CERAMIC CAPACITOR
⊙	CERAMIC TUBULAR CAPACITOR
⊚	POLYESTER FILM CAPACITOR
⊛	POLYSTYRENE FILM CAPACITOR
⊜	MICA CAPACITOR
⊝	POLYPROPYLENE FILM CAPACITOR
⊞	SEMICONDUCTIVE CERAMIC CAPACITOR

NOTICE [mode1]
(J)..... JAPAN
(U)..... U.S.A
(C)..... CANADA
(R)..... GENERAL
(T)..... CHINA
(K)..... KOREA
(A)..... AUSTRALIA
(B)..... BRITISH
(G)..... EUROPE
(L)..... SINGAPORE
(E)..... SOUTH EUROPE
(V)..... TAIWAN
(F)..... RUSSIAN

★ All voltages are measured with a 10MΩ/V DC electronic voltmeter.
★ Components having special characteristics are marked with a symbol and must be replaced with parts having specifications equal to those originally installed.
★ Schematic diagram is subject to change without notice.

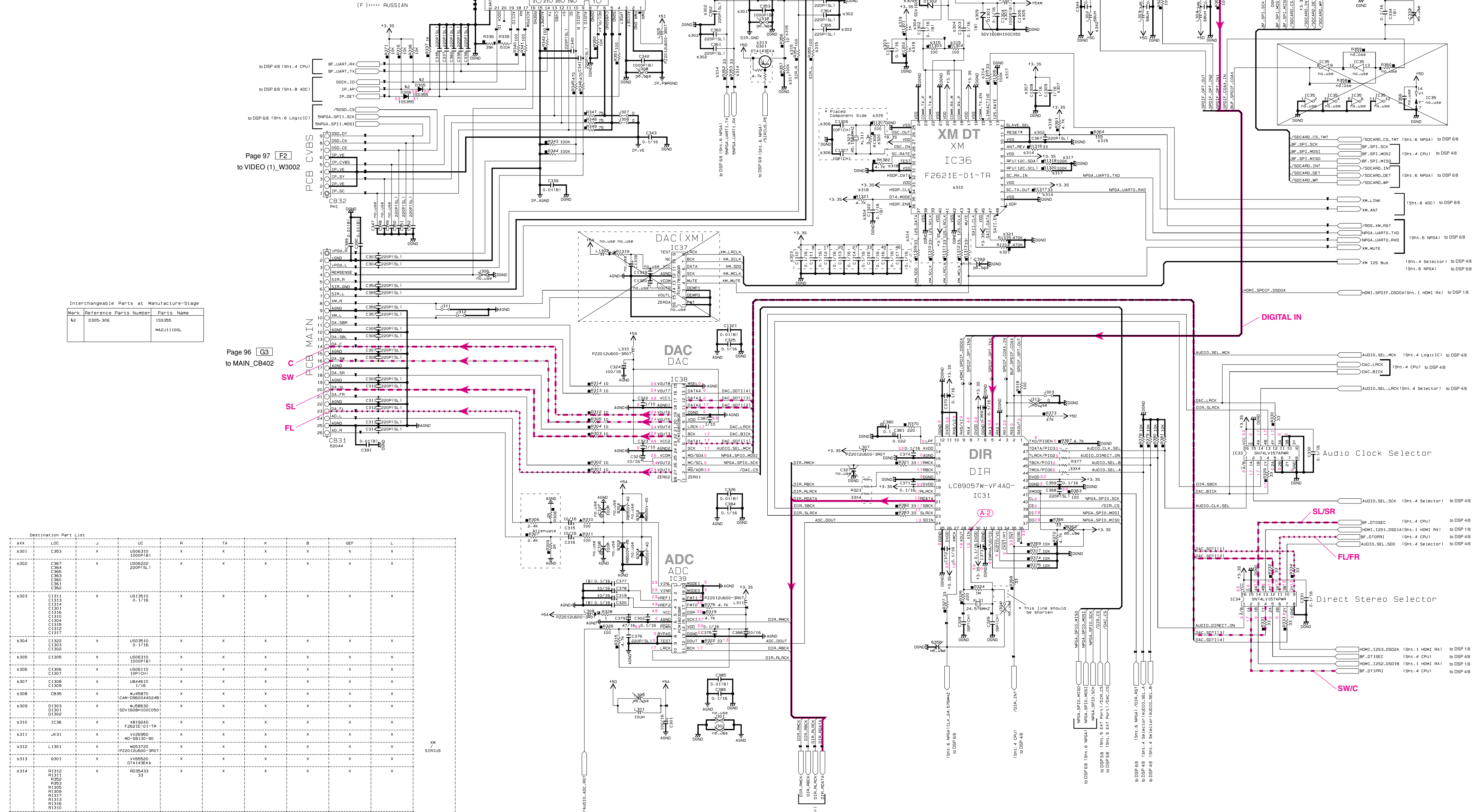
● 電圧は、内部抵抗10MΩの電圧計で測定したものです。
● !印のある部品は、安全性確保部品を示しています。部品の交換が必要な場合、パーツリストに記載されている部品を使用してください。
● 本回路図は標準回路図です。改良のため予告なく変更することがございます。

DSP 3/8

REMARKS	PARTS NAME	REMARKS	PARTS NAME
NO MARK	CARBON FILM RESISTOR (P-5)	NO MARK	ELECTROLYTIC CAPACITOR
□	CARBON FILM RESISTOR (P-10)	⊗	TANTALUM CAPACITOR
△	METAL OXIDE FILM RESISTOR	⊙	CERAMIC CAPACITOR
▲	METAL FILM RESISTOR	⊖	CERAMIC TUBULAR CAPACITOR
■	METAL PLATE RESISTOR	⊕	POLYESTER FILM CAPACITOR
◇	FIRE PROOF CARBON FILM RESISTOR	⊗	POLYSTYRENE FILM CAPACITOR
○	CEMENT MOLDED RESISTOR	⊖	MICA CAPACITOR
□	SEMI VARIABLE RESISTOR	⊕	POLYPROPYLENE FILM CAPACITOR
■	CHIP RESISTOR	⊗	SEMICONDUCTIVE CERAMIC CAPACITOR

NOTICE (model1)
 (J)..... JAPAN
 (U)..... U.S.A
 (C)..... CANADA
 (R)..... GENERAL
 (T)..... CHINA
 (K)..... KOREA
 (A)..... AUSTRALIA
 (B)..... BRITISH
 (G)..... EUROPE
 (L)..... SINGAPORE
 (E)..... SOUTH EUROPE
 (V)..... TAIWAN
 (F)..... RUSSIAN

No replacement part available.
 サービス部品供給なし



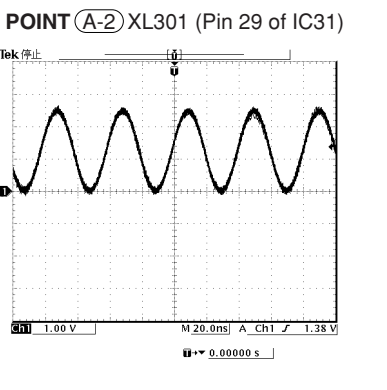
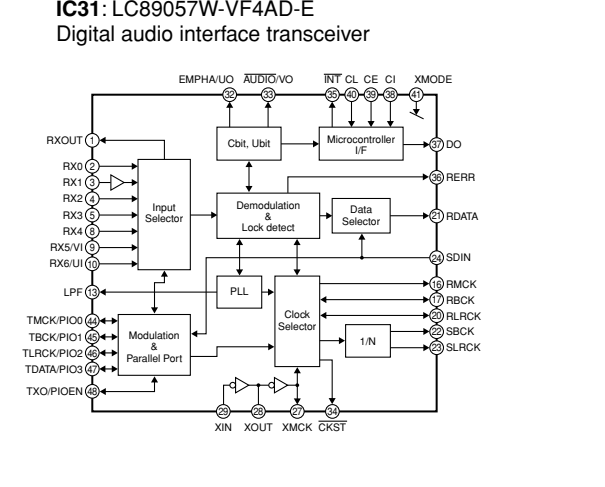
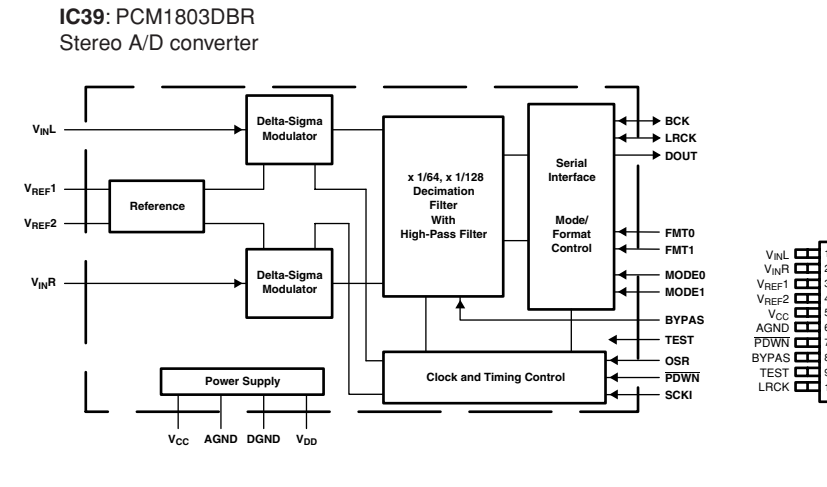
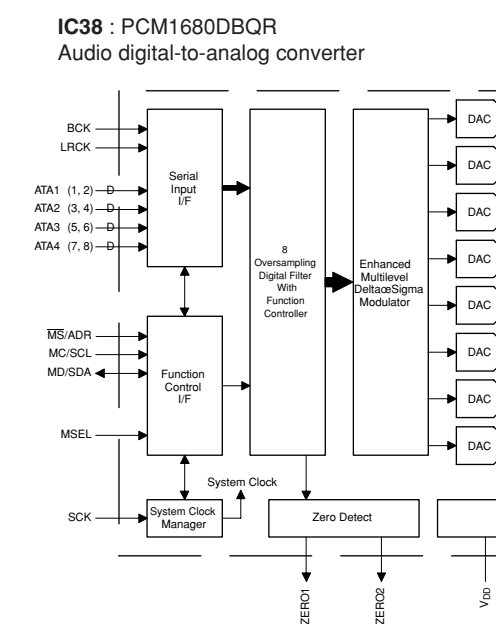
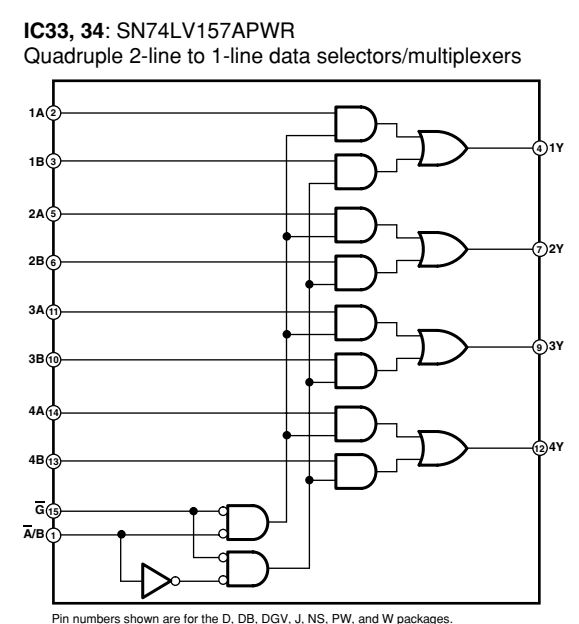
Interchangeable Parts at Manufacture-Stage

Mark	Reference Parts Number	Parts Name
F2	D305-306	MAZU1100L

Page 97 [F2] to VIDEO (1)_W3002

Page 96 [G3] to MAIN_CB402

xxx	LDC	J	UC	B	TA	X	B	SEP	L
5301	C363	X	US06310	X	X	X	X	X	X
5302	C367	X	US06022	X	X	X	X	X	X
5303	C368	X	US06310	X	X	X	X	X	X
5304	C369	X	US06310	X	X	X	X	X	X
5305	C370	X	US06310	X	X	X	X	X	X
5306	C371	X	US06310	X	X	X	X	X	X
5307	C372	X	US06310	X	X	X	X	X	X
5308	C373	X	US06310	X	X	X	X	X	X
5309	C374	X	US06310	X	X	X	X	X	X
5310	C375	X	US06310	X	X	X	X	X	X
5311	C376	X	US06310	X	X	X	X	X	X
5312	C377	X	US06310	X	X	X	X	X	X
5313	C378	X	US06310	X	X	X	X	X	X
5314	C379	X	US06310	X	X	X	X	X	X
5315	C380	X	US06310	X	X	X	X	X	X
5316	C381	X	US06310	X	X	X	X	X	X
5317	C382	X	US06310	X	X	X	X	X	X
5318	C383	X	US06310	X	X	X	X	X	X
5319	C384	X	US06310	X	X	X	X	X	X
5320	C385	X	US06310	X	X	X	X	X	X
5321	C386	X	US06310	X	X	X	X	X	X
5322	C387	X	US06310	X	X	X	X	X	X
5323	C388	X	US06310	X	X	X	X	X	X
5324	C389	X	US06310	X	X	X	X	X	X
5325	C390	X	US06310	X	X	X	X	X	X
5326	C391	X	US06310	X	X	X	X	X	X
5327	C392	X	US06310	X	X	X	X	X	X
5328	C393	X	US06310	X	X	X	X	X	X
5329	C394	X	US06310	X	X	X	X	X	X
5330	C395	X	US06310	X	X	X	X	X	X
5331	C396	X	US06310	X	X	X	X	X	X
5332	C397	X	US06310	X	X	X	X	X	X
5333	C398	X	US06310	X	X	X	X	X	X
5334	C399	X	US06310	X	X	X	X	X	X
5335	C400	X	US06310	X	X	X	X	X	X
5336	C401	X	US06310	X	X	X	X	X	X
5337	C402	X	US06310	X	X	X	X	X	X
5338	C403	X	US06310	X	X	X	X	X	X
5339	C404	X	US06310	X	X	X	X	X	X
5340	C405	X	US06310	X	X	X	X	X	X
5341	C406	X	US06310	X	X	X	X	X	X
5342	C407	X	US06310	X	X	X	X	X	X
5343	C408	X	US06310	X	X	X	X	X	X
5344	C409	X	US06310	X	X	X	X	X	X
5345	C410	X	US06310	X	X	X	X	X	X



* All voltages are measured with a 10MΩ/V DC electronic voltmeter.
 * Components having special characteristics are marked with a triangle, and must be replaced with parts having specifications equal to those originally installed.
 * Schematic diagram is subject to change without notice.

● 電圧は、内部抵抗10MΩの電圧計で測定したものです。
 ● 三角形のある部品は、安全性確保部品を示しています。部品の交換が必要な場合、パーツリストに記載されている部品を使用してください。
 ● 本回路図は標準回路図です。改良のため予告なく変更することがございます。

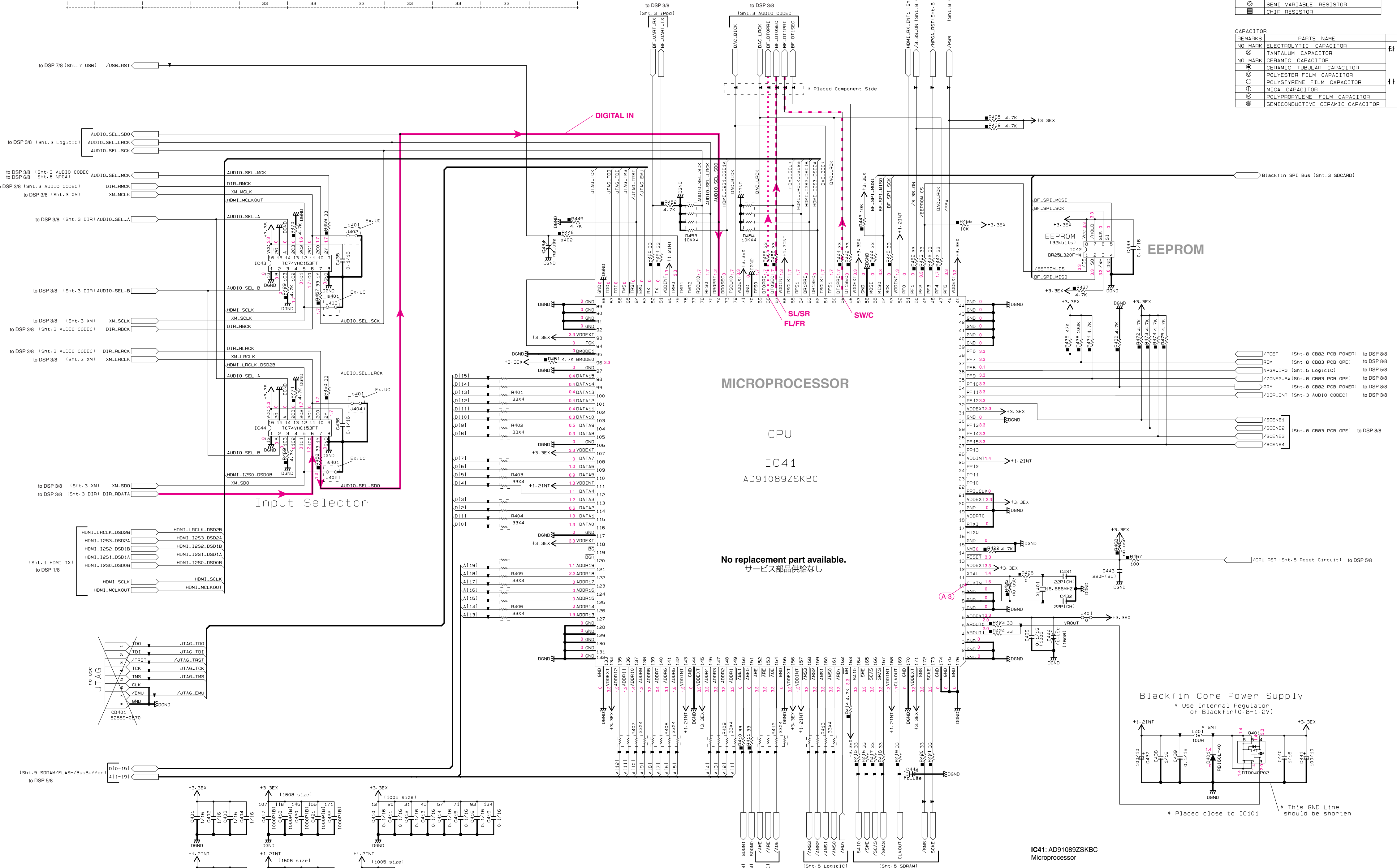
DSP 4/8

Destination Part List										
sxx	LOC	J	UC	R	TA	K	B	GEF	L	
s401	J404	RD35000	X	RD35000	RD35000	RD35000	RD35000	RD35000	RD35000	XM
s402	R448	X	X	RD35433	RD35433	RD35433	RD35433	RD35433	RD35433	USB

REMARKS	PARTS NAME
NO MARK	CARBON FILM RESISTOR [P=5]
⊠	CARBON FILM RESISTOR [P=10]
⊡	METAL OXIDE FILM RESISTOR
⊢	METAL FILM RESISTOR
⊣	METAL PLATE RESISTOR
⊤	FINE PROOF CARBON FILM RESISTOR
⊥	CEMENT MOLDED RESISTOR
⊦	SEMI VARIABLE RESISTOR
⊧	CHIP RESISTOR

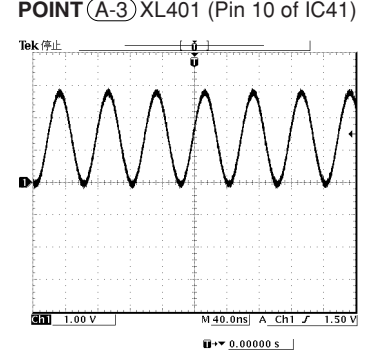
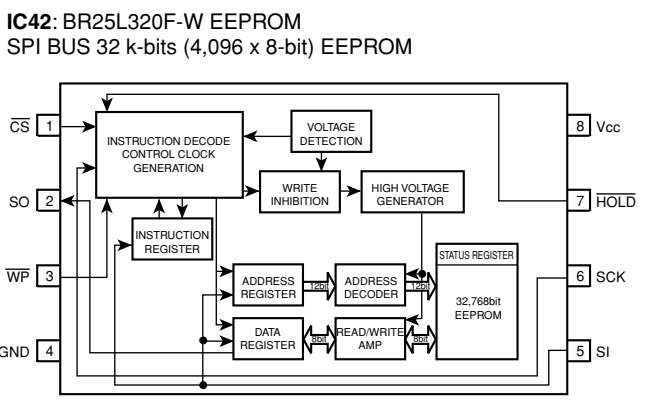
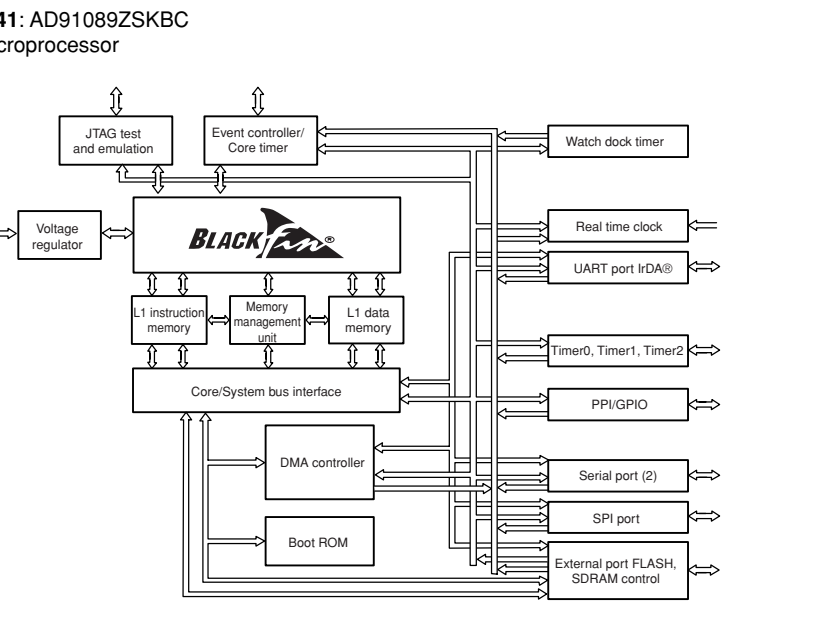
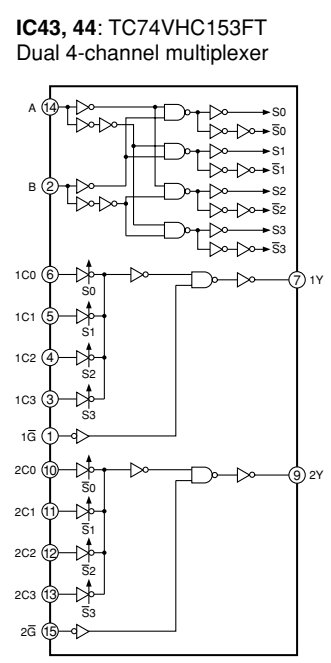
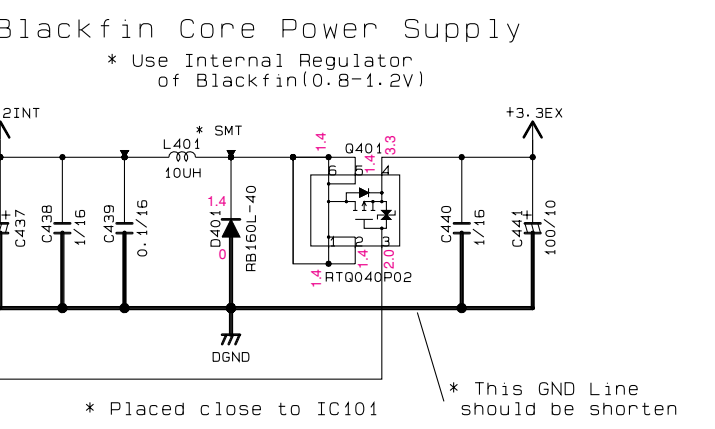
REMARKS	PARTS NAME
NO MARK	ELECTROLYTIC CAPACITOR
⊙	TANTALUM CAPACITOR
⊚	CERAMIC CAPACITOR
⊛	CERAMIC TUBULAR CAPACITOR
⊜	POLYESTER FILM CAPACITOR
⊝	POLYESTER FILM CAPACITOR
⊞	MICA CAPACITOR
⊟	POLYPROPYLENE FILM CAPACITOR
⊠	SEMICONDUCTIVE CERAMIC CAPACITOR

NOTICE (model)
(J)..... JAPAN
(U)..... U.S.A
(C)..... CANADA
(R)..... GENERAL
(T)..... CHINA
(K)..... KOREA
(A)..... AUSTRALIA
(B)..... BRITISH
(G)..... EUROPE
(L)..... SINGAPORE
(E)..... SOUTH EUROPE
(V)..... TAIWAN
(F)..... RUSSIAN



MICROPROCESSOR
CPU
IC41
AD91089ZSKBC

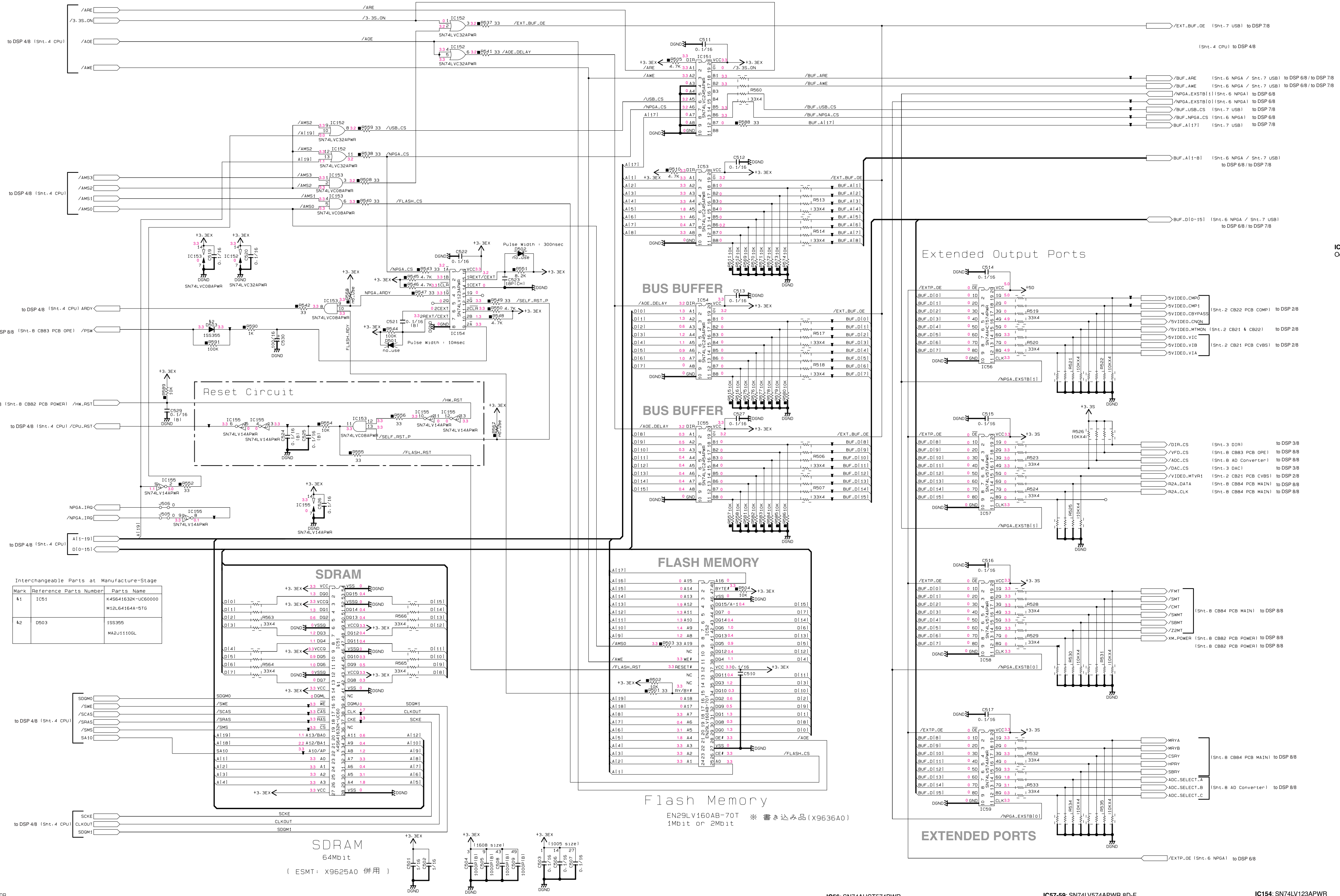
No replacement part available.
サービス部品供給なし



★ All voltages are measured with a 10MΩ/V DC electronic voltmeter.
★ Components having special characteristics are marked with a star and must be replaced with parts having specifications equal to those originally installed.
★ Schematic diagram is subject to change without notice.

● 電圧は、内部抵抗10MΩの電圧計で測定したものです。
● *印のある部品は、安全性確保部品を示しています。部品の交換が必要な場合、パーツリストに記載されている部品を使用してください。
● 本回路図は標準回路図です。改良のため予告なく変更することがございます。

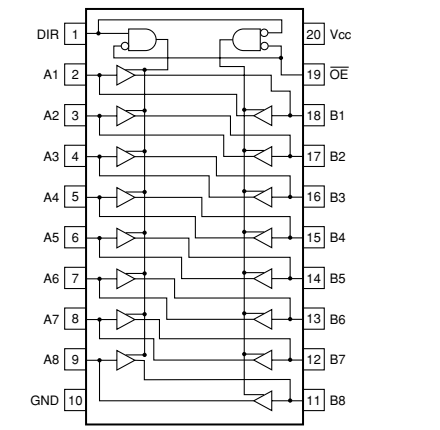
DSP 5/8



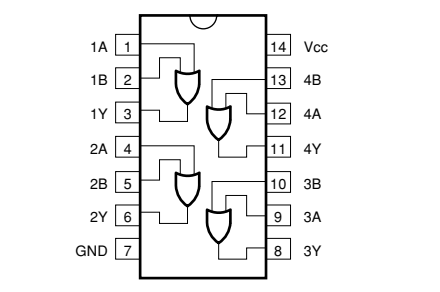
NOTICE (model)

(J)..... JAPAN
 (U)..... U.S.A
 (C)..... CANADA
 (R)..... GENERAL
 (T)..... CHINA
 (K)..... KOREA
 (A)..... AUSTRALIA
 (B)..... BRITISH
 (G)..... EUROPE
 (L)..... SINGAPORE
 (E)..... SOUTH EUROPE
 (V)..... TAIWAN
 (F)..... RUSSIAN

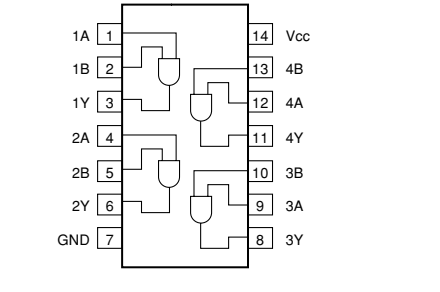
IC53-55, 151: SN74VLC245APWR
Octal bus transceivers with 3-state outputs



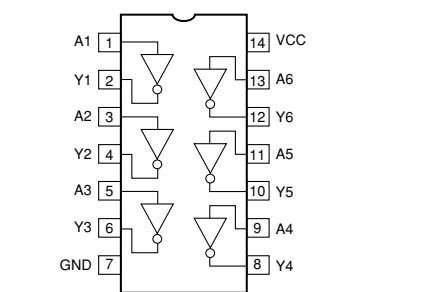
IC152: SN74VLC32APW
Quadrule 2-input positive-OR gates



IC153: SN74VLC08APWR
Quadrule 2-input positive-AND gate

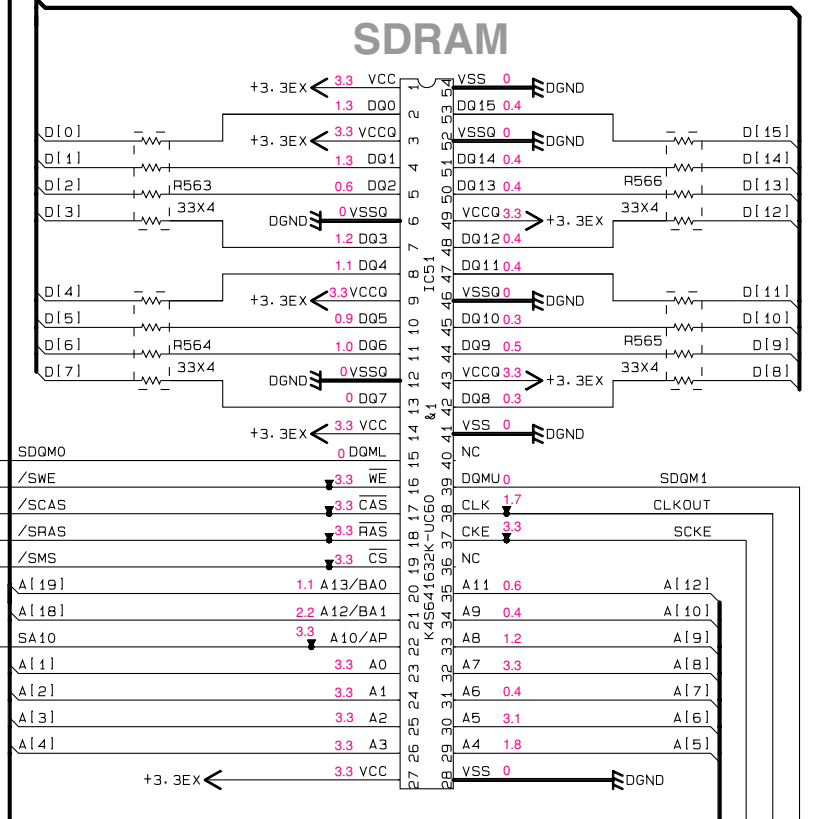


IC155: SN74V14APWR
Hex schmitt trigger inverters



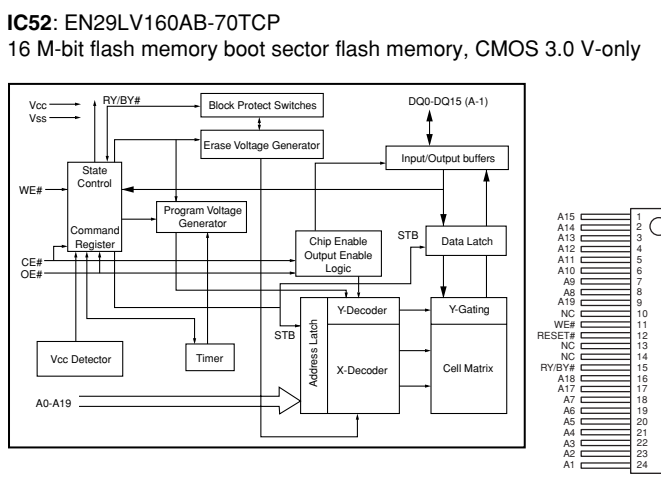
Interchangeable Parts at Manufacture-Stage

Mark	Reference Parts Number	Parts Name
k1	IC51	K4S641632K-UC60000 M12L6416A4-5TG
k2	D903	ISS395S MA2J110GL



SDRAM
64Mbit
(ESMT: X9625A0 併用)

Flash Memory
EN29LV160AB-70T ※書き込み品(X9636A0)
1Mbit or 2Mbit

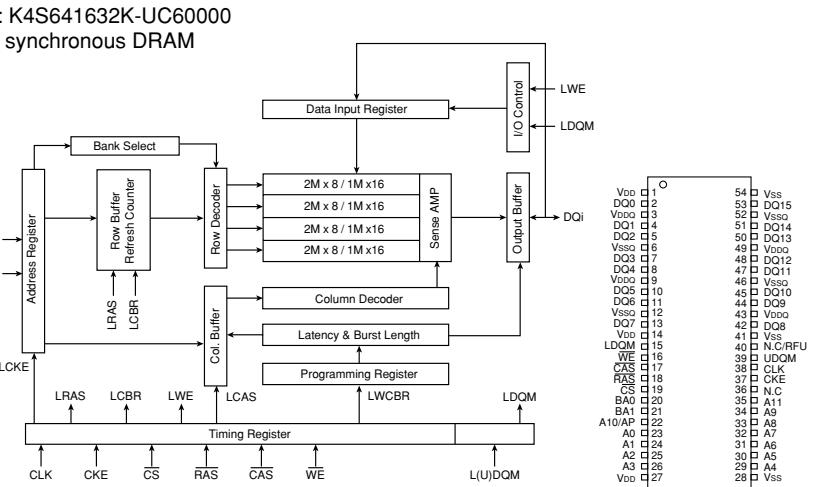


RESISTOR

REMARKS	PARTS NAME
NO MARK	CARBON FILM RESISTOR (P=5)
△	CARBON FILM RESISTOR (P=10)
▲	METAL OXIDE FILM RESISTOR
△	METAL FILM RESISTOR
□	METAL PLATE RESISTOR
○	FINE PROOF CARBON FILM RESISTOR
□	CEMENT MOLDED RESISTOR
□	SEMI VARIABLE RESISTOR
■	CHIP RESISTOR

CAPACITOR

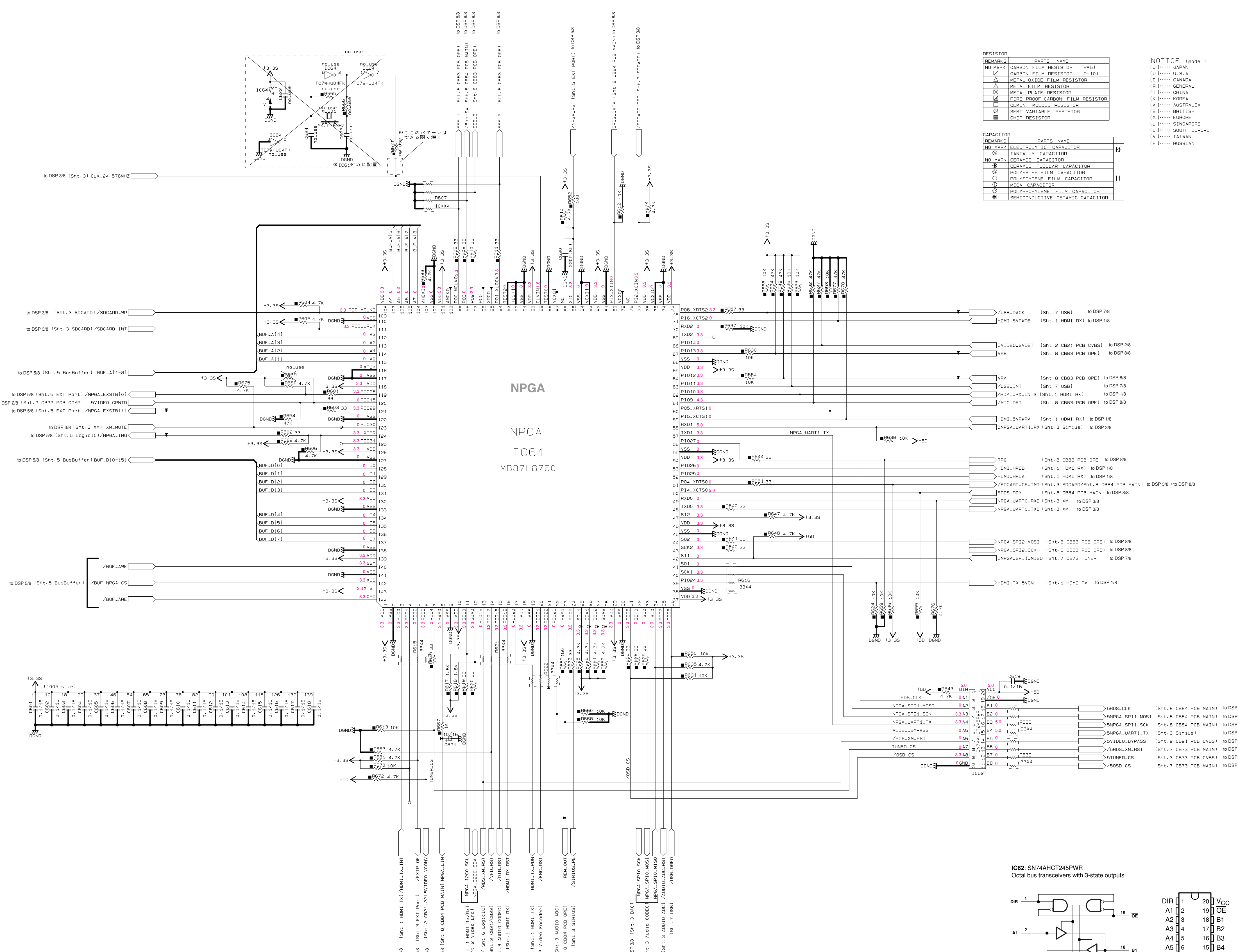
REMARKS	PARTS NAME
NO MARK	ELECTROLYTIC CAPACITOR
○	TANTALUM CAPACITOR
NO MARK	CERAMIC TUBULAR CAPACITOR
○	POLYESTER FILM CAPACITOR
○	POLYSTYRENE FILM CAPACITOR
○	MICA CAPACITOR
○	POLYPROPYLENE FILM CAPACITOR
○	SEMICONDUCTIVE CERAMIC CAPACITOR



* All voltages are measured with a 10MΩ/V DC electronic voltmeter.
 * Components having special characteristics are marked with a triangle, and must be replaced with parts having specifications similar to those originally installed.
 * Schematic diagram is subject to change without notice.

●電圧は、内部抵抗10MΩの電圧計で測定したものです。
 ●△印のある部品は、安全性確保部品を示しています。部品の交換が必要な場合、パーツリストに記載されている部品を使用してください。
 ●本回路図は標準回路図です。改良のため予告なく変更することがございます。

DSP 6/8



REMARKS	PARTS_NAME
NO MARK	CARBON FILM RESISTOR (P=5)
□	CARBON FILM RESISTOR (P=10)
△	METAL OXIDE FILM RESISTOR
▲	METAL FILM RESISTOR
■	METAL PLATE RESISTOR
▨	FIRE PROOF CARBON FILM RESISTOR
□	CEMENT MOLDED RESISTOR
⊗	SMT VARIABLE RESISTOR
■	CHIP RESISTOR

REMARKS	PARTS_NAME
NO MARK	ELECTROLYTIC CAPACITOR
□	TANTALUM CAPACITOR
○	CERAMIC TUBULAR CAPACITOR
⊙	POLYESTER FILM CAPACITOR
○	POLYSTYRENE FILM CAPACITOR
○	MICA CAPACITOR
⊙	POLYPROPYLENE FILM CAPACITOR
⊙	SEMICONDUCTIVE CERAMIC CAPACITOR

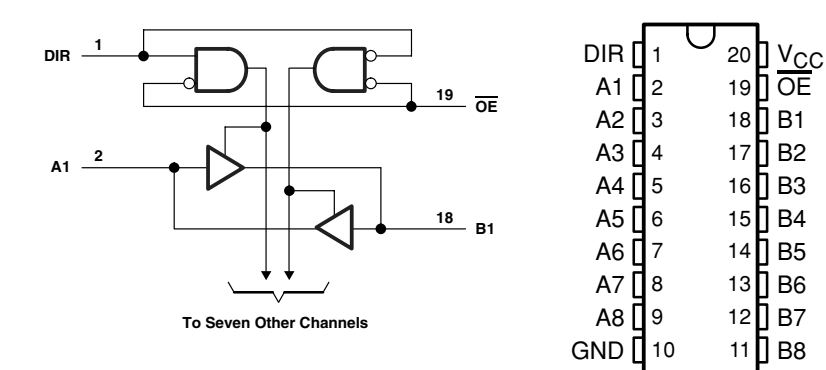
NOTICE (model)

(J) JAPAN
 (U) U.S.A
 (C) CANADA
 (R) GENERAL
 (T) CHINA
 (K) KOREA
 (A) AUSTRALIA
 (B) BRITISH
 (G) EUROPE
 (L) SINGAPORE
 (E) SOUTH EUROPE
 (V) TAIWAN
 (F) RUSSIAN

★ All voltages are measured with a 10MQ/V DC electronic voltmeter.
 ● Components having special characteristics are marked ▲, and must be replaced with parts having specifications equal to those originally installed.
 ★ Schematic diagram is subject to change without notice.

● 電圧は、内部抵抗10MQの電圧計で測定したものです。
 ● ▲印のある部品は、安全性確保部品を示しています。部品の交換が必要な場合、パーツリストに記載されている部品を使用してください。
 ● 本回路図は標準回路図です。改良のため予告なく変更することがございます。

IC62: SN74AHCT245PWR
 Octal bus transceivers with 3-state outputs

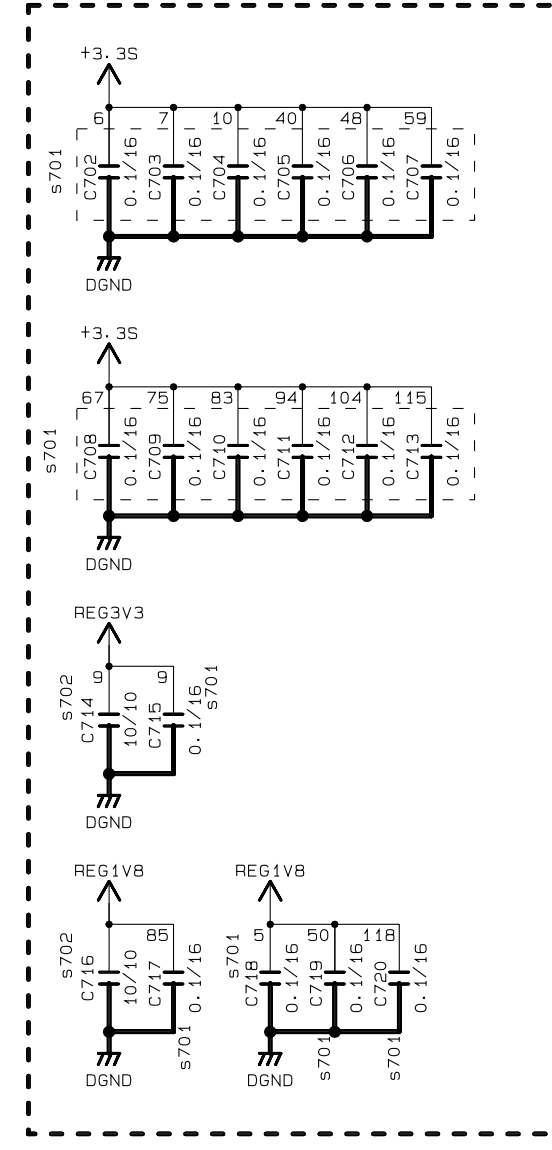


DSP 7/8

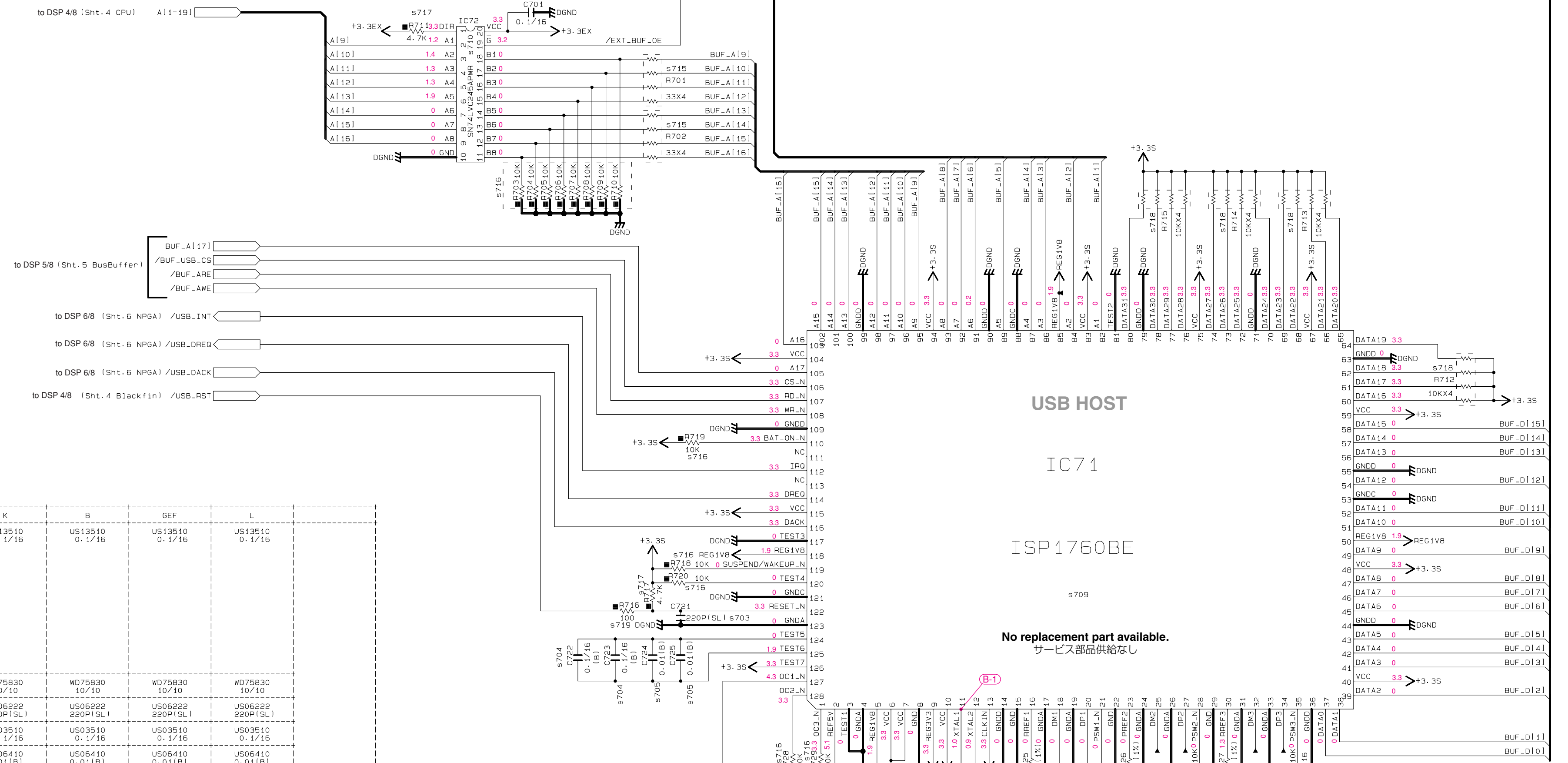
REMARKS	PARTS NAME
NO MARK	CARBON FILM RESISTOR (P=5)
□	CARBON FILM RESISTOR (P=10)
△	METAL OXIDE FILM RESISTOR
▲	METAL FILM RESISTOR
▢	METAL PLATE RESISTOR
■	FIRE PROOF CARBON FILM RESISTOR
□	CEMENT MOLDED RESISTOR
○	SEMI VARIABLE RESISTOR
●	CHIP RESISTOR

REMARKS	PARTS NAME
NO MARK	ELECTROLYTIC CAPACITOR
⊗	TANTALUM CAPACITOR
NO MARK	CERAMIC CAPACITOR
⊙	CERAMIC TUBULAR CAPACITOR
⊖	POLYESTER FILM CAPACITOR
○	POLYSTYRENE FILM CAPACITOR
⊖	MICA CAPACITOR
⊖	POLYPROPYLENE FILM CAPACITOR
⊖	SEMICONDUCTIVE CERAMIC CAPACITOR

NOTICE (model)
 (J)..... JAPAN
 (U)..... U.S.A.
 (C)..... CANADA
 (R)..... GENERAL
 (T)..... CHINA
 (K)..... KOREA
 (A)..... AUSTRALIA
 (B)..... BRITISH
 (O)..... EUROPE
 (L)..... SINGAPORE
 (E)..... SOUTH EUROPE
 (V)..... TAIWAN
 (F)..... RUSSIAN



to DSP 5/8 (Sht.5 BusBuffer) BUF_D10-15
 to DSP 5/8 (Sht.5 BusBuffer) BUF_A11-81
 to DSP 5/8 (Sht.5 BusBuffer)/EXT_BUF_OE



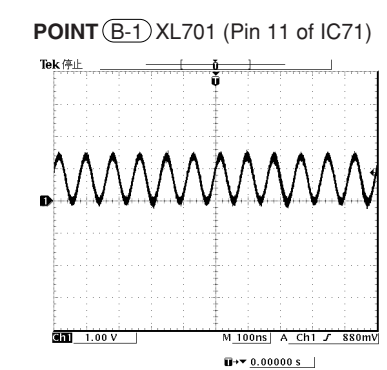
USB HOST

IC71

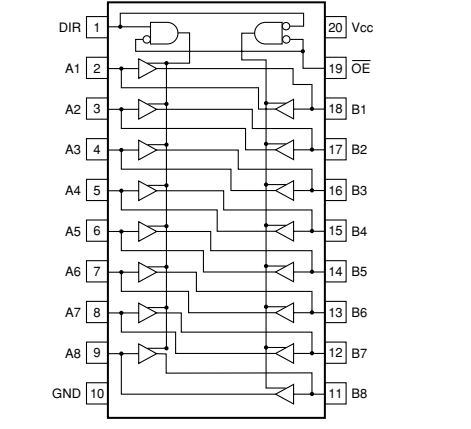
ISP1760BE

No replacement part available. サービス部品供給なし

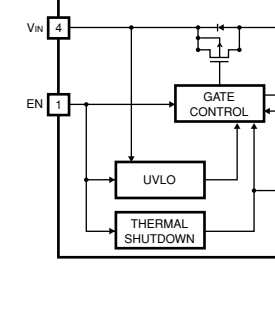
Destination Part List									
sxx	LOC	J	UC	R	TA	K	B	GEF	L
s701	C711	X	X	US13510	US13510	US13510	US13510	US13510	US13510
	C712			0.1/16	0.1/16	0.1/16	0.1/16	0.1/16	0.1/16
	C720								
	C719								
	C718								
	C710								
	C709								
	C708								
	C707								
	C702								
	C717								
	C703								
	C705								
	C706								
	C704								
	C715								
s702	C714	X	X	WD75830	WD75830	WD75830	WD75830	WD75830	WD75830
				10/10	10/10	10/10	10/10	10/10	10/10
s703	C721	X	X	US06222	US06222	US06222	US06222	US06222	US06222
				20P(SL)	20P(SL)	20P(SL)	20P(SL)	20P(SL)	20P(SL)
s704	C723	X	X	US03510	US03510	US03510	US03510	US03510	US03510
				0.1/16	0.1/16	0.1/16	0.1/16	0.1/16	0.1/16
s705	C731	X	X	US06410	US06410	US06410	US06410	US06410	US06410
	C724			0.01(B)	0.01(B)	0.01(B)	0.01(B)	0.01(B)	0.01(B)
	C728								
	C730								
s706	C727	X	X	US06120	US06120	US06120	US06120	US06120	US06120
				20P(CH)	20P(CH)	20P(CH)	20P(CH)	20P(CH)	20P(CH)
s707	C729	X	X	URB3810	URB3810	URB3810	URB3810	URB3810	URB3810
				100/16	100/16	100/16	100/16	100/16	100/16
s708	CB71	X	X	VBB5850	VBB5850	VBB5850	VBB5850	VBB5850	VBB5850
				PHL	PHL	PHL	PHL	PHL	PHL
s709	IC71	X	X	XB288A0	XB288A0	XB288A0	XB288A0	XB288A0	XB288A0
				ISP1760BE	ISP1760BE	ISP1760BE	ISP1760BE	ISP1760BE	ISP1760BE
s710	IC72	X	X	XZ287A0	XZ287A0	XZ287A0	XZ287A0	XZ287A0	XZ287A0
				SN74LVC245APWR	SN74LVC245APWR	SN74LVC245APWR	SN74LVC245APWR	SN74LVC245APWR	SN74LVC245APWR
s711	IC73	X	X	XB096A0	XB096A0	XB096A0	XB096A0	XB096A0	XB096A0
				R5523N0014-TR-F	R5523N0014-TR-F	R5523N0014-TR-F	R5523N0014-TR-F	R5523N0014-TR-F	R5523N0014-TR-F
s712	J701	X	X	RD35000	RD35000	RD35000	RD35000	RD35000	RD35000
				0	0	0	0	0	0
s713	L701	X	X	WG53720	WG53720	WG53720	WG53720	WG53720	WG53720
	L703								
	L704								
s714	L702	X	X	DLW21HN900S02L	DLW21HN900S02L	DLW21HN900S02L	DLW21HN900S02L	DLW21HN900S02L	DLW21HN900S02L
s715	R702	X	X	WH20580	WH20580	WH20580	WH20580	WH20580	WH20580
	R701			33X4	33X4	33X4	33X4	33X4	33X4
s716	R729	X	X	RD35710	RD35710	RD35710	RD35710	RD35710	RD35710
	R719			10K	10K	10K	10K	10K	10K
	R707								
	R718								
	R720								
	R705								
	R709								
	R708								
	R710								
	R723								
	R706								
	R730								
	R728								
	R731								
	R732								
	R703								
	R704								
s717	R717	X	X	RD35647	RD35647	RD35647	RD35647	RD35647	RD35647
	R711			4.7K	4.7K	4.7K	4.7K	4.7K	4.7K
s718	R712	X	X	WH21180	WH21180	WH21180	WH21180	WH21180	WH21180
	R714			10KX4	10KX4	10KX4	10KX4	10KX4	10KX4
	R715								
	R713								
s719	R722	X	X	RD35547	RD35547	RD35547	RD35547	RD35547	RD35547
				470	470	470	470	470	470
s720	R725	X	X	RF45712	RF45712	RF45712	RF45712	RF45712	RF45712
	R727			12K	12K	12K	12K	12K	12K
	R726								
s721	R733	X	X	RF45715	RF45715	RF45715	RF45715	RF45715	RF45715
	R734			15K	15K	15K	15K	15K	15K
s722	XL701	X	X	V529490	V529490	V529490	V529490	V529490	V529490
				12MHZ	12MHZ	12MHZ	12MHZ	12MHZ	12MHZ
s723	C725	X	X	US06112	US06112	US06112	US06112	US06112	US06112
				12P	12P	12P	12P	12P	12P
s724	R716	X	X	RD35510	RD35510	RD35510	RD35510	RD35510	RD35510
				100	100	100	100	100	100



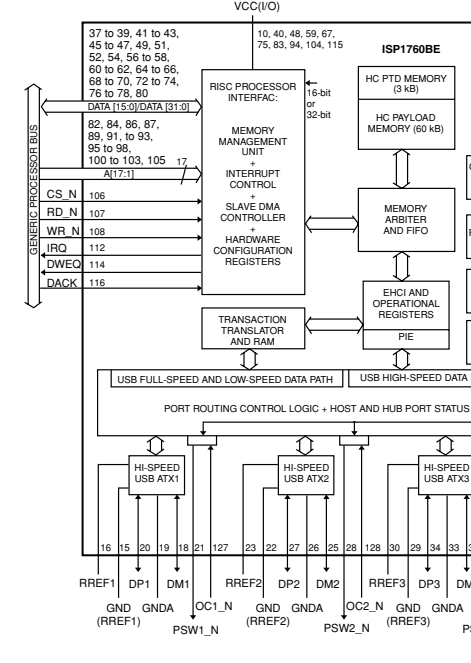
IC72: SN74LVC245APWR Octal bus transceivers with 3-state outputs



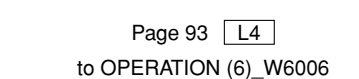
IC73: R5523N0014-TR-F High side switch IC



IC71: ISP1760BE Embedded hi-speed USB host controller



USB Connector (Side Entry)



Page 93 [L] to OPERATION (6), W6006 (R, T, K, A, B, G, E, F, L models)

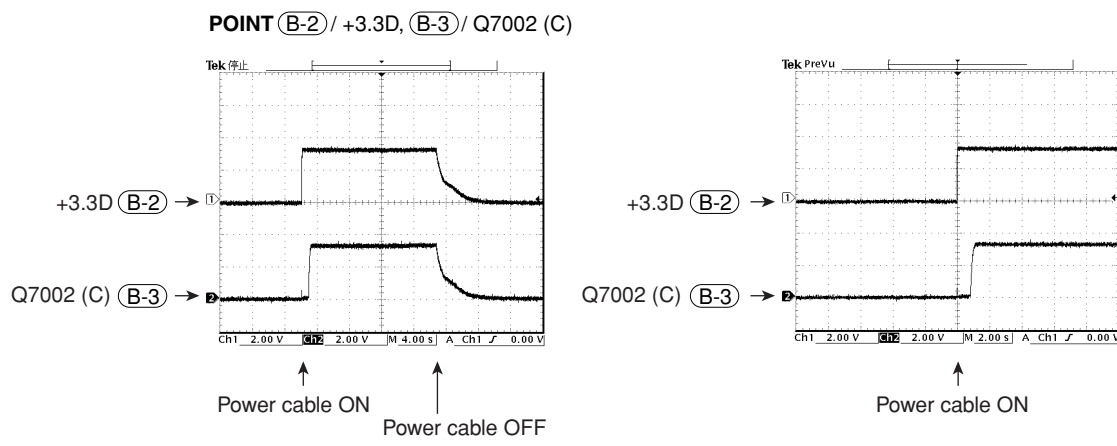
- ★ All voltages are measured with a 10MΩ/V DC electronic voltmeter.
- ★ Components having special characteristics are marked 1, and must be replaced with parts having specifications equal to those originally installed.
- ★ Schematic diagram is subject to change without notice.

- 電圧は、内部抵抗10MΩの電圧計で測定したものです。
- 1印のある部品は、安全な確率部品を示しています。部品の交換が必要な場合、パーツリストに記載されている部品を使用してください。
- 本回路図は標準回路図です。改良のため予告なく変更することがございます。

OPERATION 2/2

Interchangeable Parts at Manufacture-Stage

Mark	Reference Parts Number	Parts Name
&700	Q7000-7002	DTC114EKA KRC104S-RTK/P
&701	D7005-7006-7010-7016 7017	1S5355 MA2J1110GL
&702	D7014-7015	KBP1036 RS103
&703	D7018-7019	RS403M-B-C-JB0 TS4B03G-07
&704	Q7001	2SC2412K (Q/R/S) KTC3B75S-Y-GR-RTK/P 2SD610ARL/AQL1Q/R/S



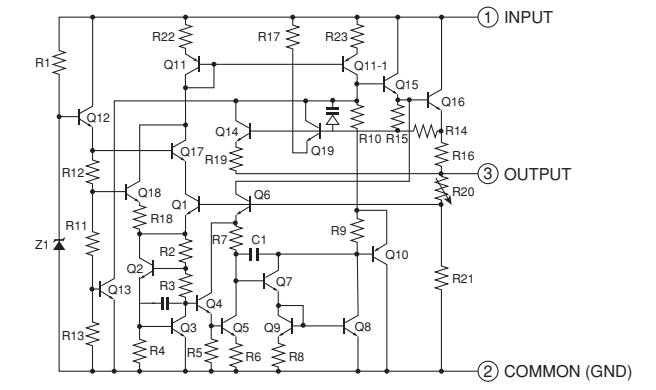
REMARKS	PARTS NAME
□	CARBON FILM RESISTOR (P=5)
▢	CARBON FILM RESISTOR (P=10)
△	METAL OXIDE FILM RESISTOR
▲	METAL FILM RESISTOR
⊠	METAL PLATE RESISTOR
▣	FIRE PROOF CARBON FILM RESISTOR
⊞	CEMENT MOLDED RESISTOR
⊕	SEMI VARIABLE RESISTOR
■	CHIP RESISTOR

NOTICE (mode1)
(J)..... JAPAN
(U)..... U.S.A
(C)..... CANADA
(R)..... GENERAL
(T)..... CHINA
(K)..... KOREA
(A)..... AUSTRALIA
(B)..... BRITISH
(G)..... EUROPE
(L)..... SINGAPORE
(E)..... SOUTH EUROPE
(V)..... TAIWAN
(F)..... RUSSIAN

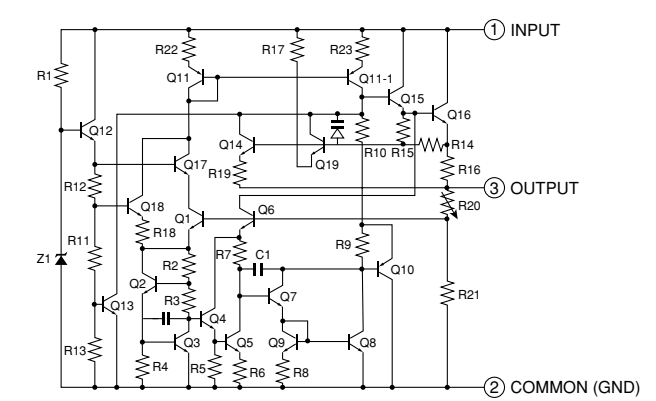
REMARKS	PARTS NAME
⊖	ELECTROLYTIC CAPACITOR
⊗	TANTALUM CAPACITOR
⊙	CERAMIC CAPACITOR
⊚	CERAMIC TUBULAR CAPACITOR
⊕	POLYESTER FILM CAPACITOR
⊖	POLYSTYRENE FILM CAPACITOR
⊙	MICA CAPACITOR
⊗	POLYPROPYLENE FILM CAPACITOR
⊚	SEMICONDUCTIVE CERAMIC CAPACITOR

SXX	LOC	J	UC	RTKAGEFL	B
s600	SW618 SW620 SW621 SW622 SW623 SW624	WD49310 SKRGAAD010	WD49310 SKRGAAD010	WD49310 SKRGAAD010	X
s609	W6006	X	X	WN02170	WN02170
s612	J6006 J6007	X	X	RD35000	RD35000
s613	C6047	X	X	US06210 100P(SL)	US06210 100P(SL)
s614	ST602	X	X	WA78970	WA78970
s615	CB607	X	X	WG66B10	WG66B10
s616	W6008	X	X	WJ62450 SAN-PH	WJ62450 SAN-PH
s617	D6024 D6025 D6026 D6027	X	X	VT33290 1S5355	VT33290 1S5355
s618	C6048 C6049	X	X	US13510 0.1/16	US13510 0.1/16
s619	G6003	X	X	VR46340 TP00385	VR46340 TP00385
s620	C6051 C6052	X	X	US06222 220P(SL)	US06222 220P(SL)
s621	R6087 R6088	X	X	RD35847	RD35847
s622	R6090 R6095	X	X	RD35547	RD35547
s623	R6091	X	X	RD35475	RD35475
s624	FJ602	X	X	WJ11750 MSP-303H-BBB-11	WJ11750 MSP-303H-BBB-11
s625	W6007	WJ62450 SAN-PH	WJ62450 SAN-PH	X	X
s626	D6022 D6023 D6020 D6021	VT33290 1S5355	VT33290 1S5355	X	X
s627	C6042 C6043 C6060	US13510 0.1/16	US13510 0.1/16	X	X
s628	G6002	VR46340 TP00385	VR46340 TP00385	X	X
s629	C6045 C6044	US06368 6800P(B)	US06368 6800P(B)	X	X
s630	R6083 R6082	RD35847 470K	RD35847 470K	X	X
s631	R6084 R6085	RD35547 470	RD35547 470	X	X
s632	R6086	RD35475	RD35475	X	X
s633	FJ601	WJ11750 MSP-303H-BBB-11	WJ11750 MSP-303H-BBB-11	X	X
s634	JK603	WJ11740 MSJ-035-05A	WJ11740 MSJ-035-05A	X	X
s636	C6064	X	X	US12610 1/10	US12610 1/10
s638	J6001	VN50000	VN50000	VN50000	X
s639	R6078	RD35000	RD35000	RD35000	X
s642	R6060 R6061	RD35633 3.3K	RD35633 3.3K	RD35633 3.3K	X
s643	R6065 R6066	RD35647 4.7K	RD35647 4.7K	RD35647 4.7K	X
s644	R6070 R6069	RD35668 5.8K	RD35668 5.8K	RD35668 5.8K	X
s645	R6076 R6075	RD35710 10K	RD35710 10K	RD35710 10K	X
s700	C7027	UR73A10 10000/16	WG60200 15000/16	WG60200 15000/16	WG60200 15000/16
s701	C7026	X	UR03947 4700/16	UR03947 4700/16	UR03947 4700/16
s702	IC706	X	X6143A0 NJM238BF05	X6143A0 NJM238BF05	X6143A0 NJM238BF05
s703	R7017	X	RD35610 1K	X	X
s704	D7012	X	V237650 RB500V-40	X	X
s705	J7010 J7001	X	VN50000	VN50000	VN50000

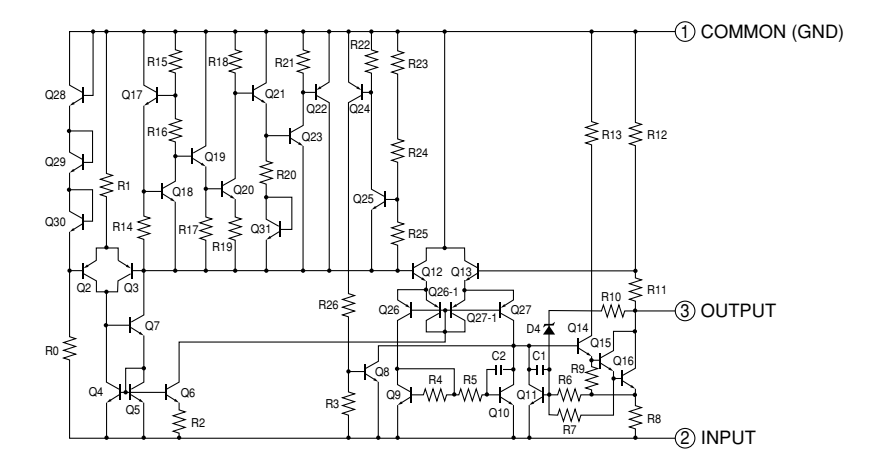
IC701, 703: KIA7805API
Voltage regulator



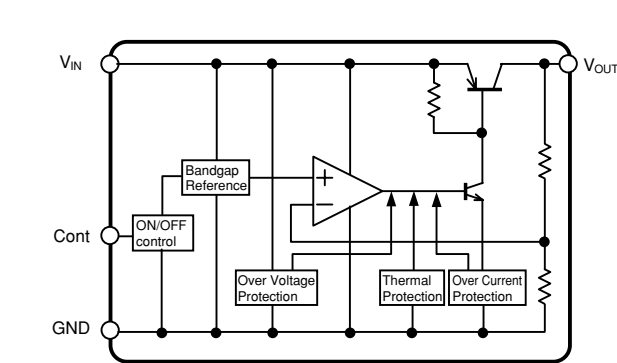
IC704: KIA7812API
Voltage regulator



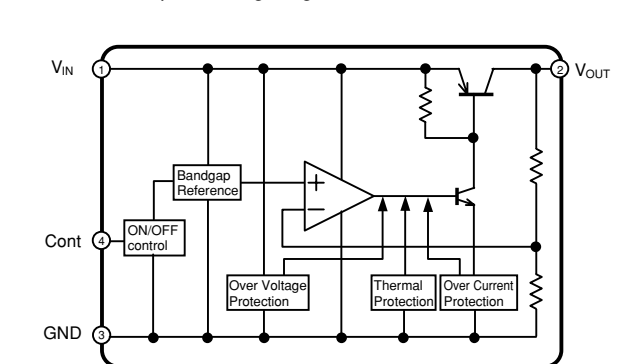
IC705: KIA7912PI
Voltage regulator



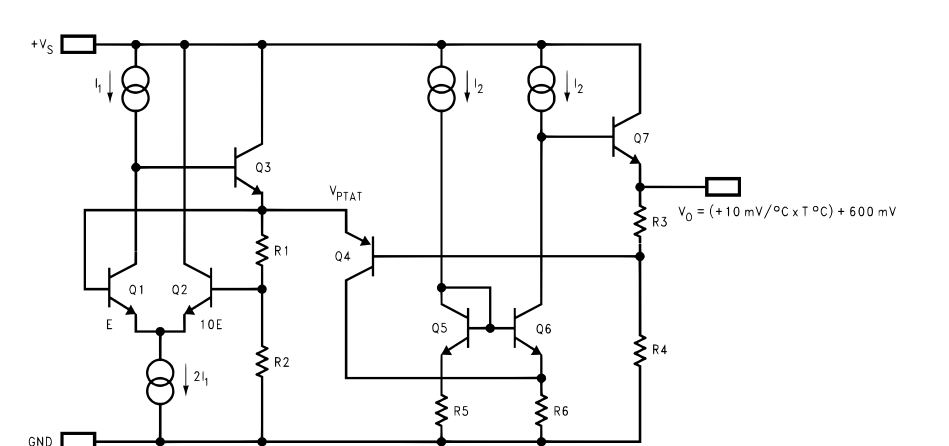
IC706: NJM2388F05
Low dropout voltage regulator with ON/OFF control



IC707: NJM2388F63
Low dropout voltage regulator with ON/OFF control



IC708: LM61CI2
Temperature sensor



Page 98 [G9]
to VIDEO (3)_W3401

Page 92 [J9]
to DSP_CB81

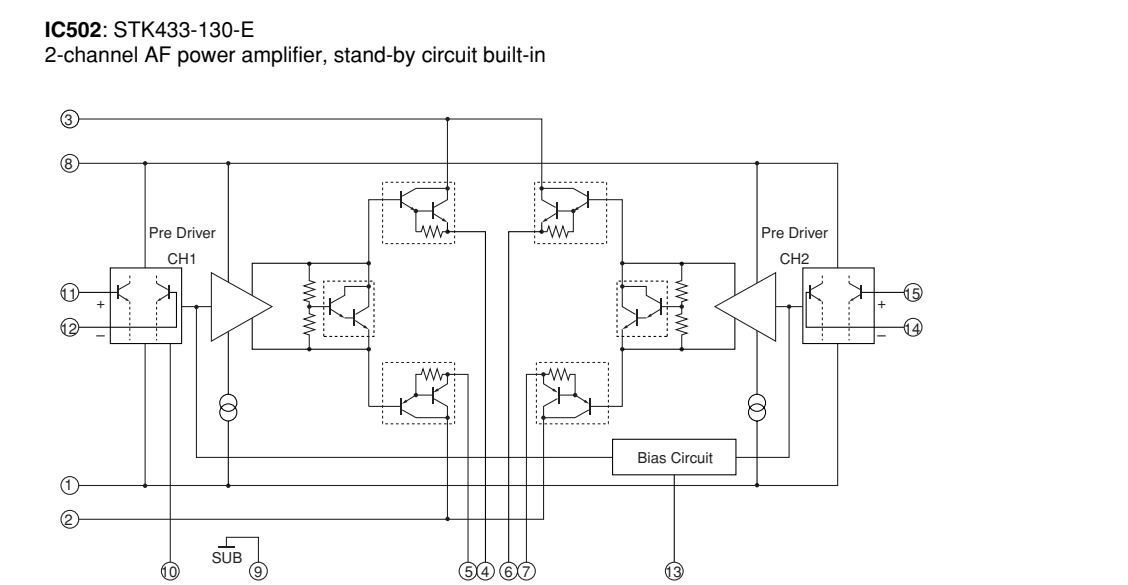
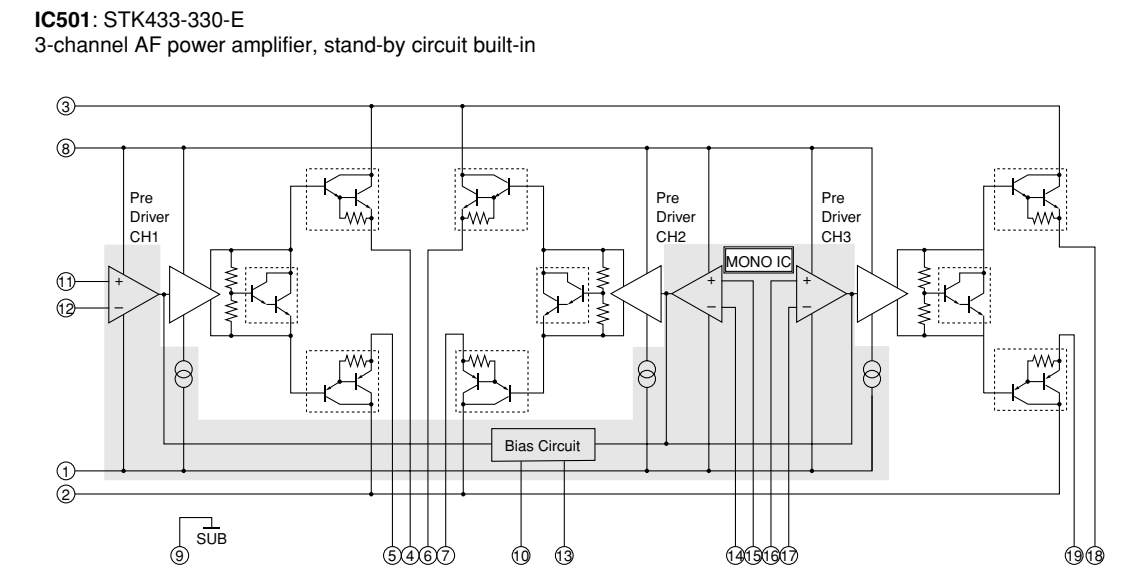
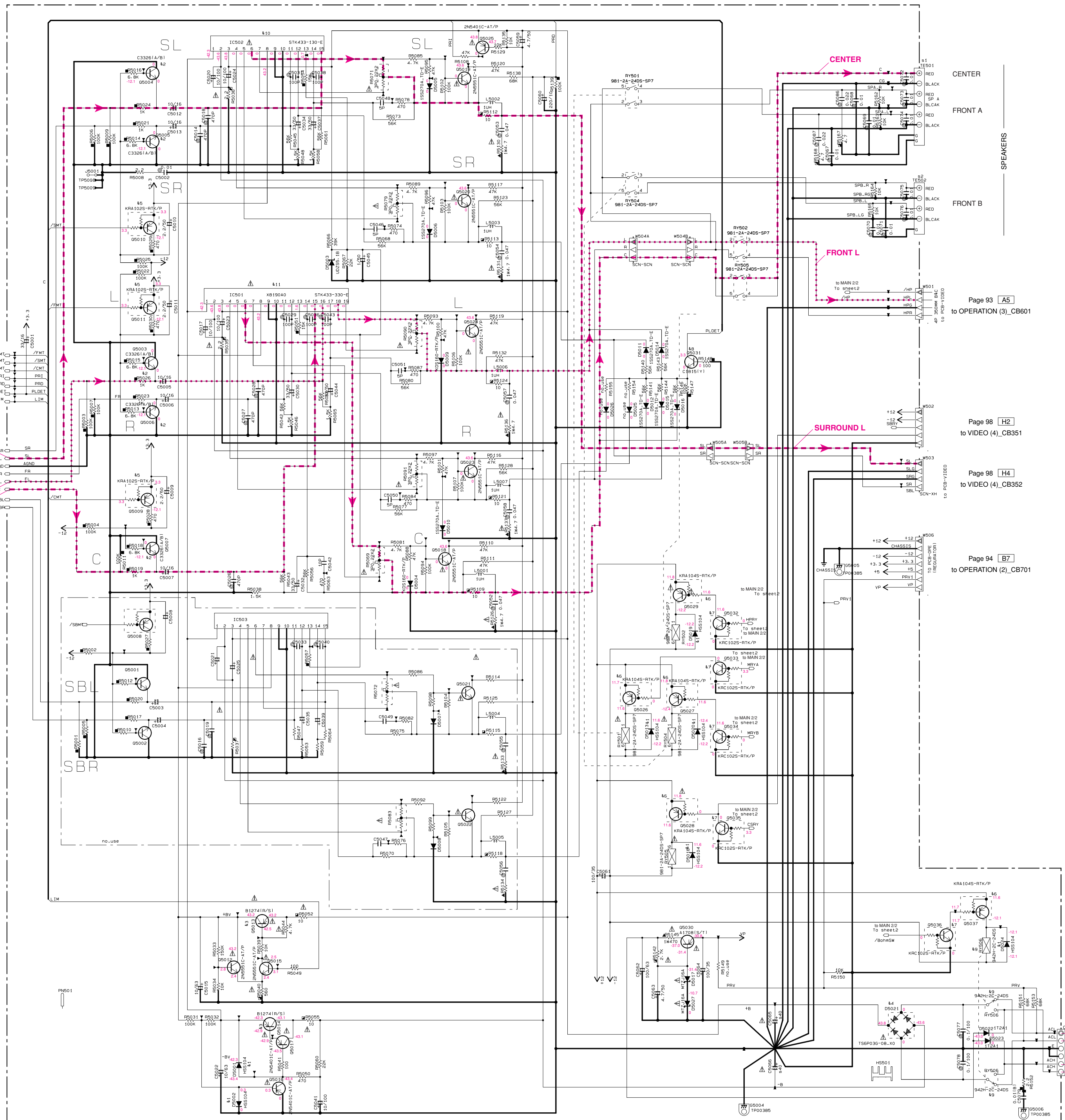
Page 92 [G9]
to DSP_CB82

Page 95 [I6]
to MAIN_W506

Page 97 [B2]
to VIDEO (1)_CB301

Page 93 [J4]
to OPERATION (1)_CB604

★ All voltages are measured with a 10MQ/V DC electronic voltmeter.
● 電圧は、内部抵抗10MQの電圧計で測定したものです。
★ Components having special characteristics are marked with a triangle and must be replaced with parts having specifications equal to those originally installed.
● 三角形印のある部品は、安全性確保部品を示しています。部品の交換が必要な場合、パーツリストに記載されている部品を使用してください。
★ Schematic diagram is subject to change without notice.
● 本回路図は標準回路図です。改良のため予告なく変更することがございます。



CENTER
FRONT A
FRONT B
FRONT L
SURROUND L

Page 93 [A5]
to OPERATION (3)_CB601

Page 98 [H2]
to VIDEO (4)_CB351

Page 98 [H4]
to VIDEO (4)_CB352

Page 94 [B7]
to OPERATION (2)_CB701

Interchangeable Parts at Manufacture-Stage

Mark	Reference Parts Number	Parts Name
41	05001-5002-5013	RS5104
	5016-5020-5024	RS5133
		RS5176
42	05003-5007	2SC3326(A/B)
		2SC3326(B)
		2SC5938(A/B)
		2SC1938(F15/1)
		2SC2724k
43	05013-5014	2SB1274(H/S)
		2SB1555(E/F1)
		KT1046-Y-U/P
44	05021	TS6P30-08-0
		RS603M-B-C-80
45	05009-5011	KRA1025-RTK/P
		DTA114EKA
46	05026-5029-5037	KRA1045-RTK/P
		DTA144EKA
47	05032-5036	KRC1025-RTK/P
		DTC114EKA
48	05031	2SC1815(Y)
		KT1C3196 Y-A1
49	RY506	942H-2C-2405
		DH2402-0-G
50	IC502	STK-433-130-E
		IX7427A01
		STK-433-130-E
		IX7427B01
51	IC501	STK-433-330-E
		IX8190A01
		STK-433-330-E
		IX8190B01

REMARKS

REMARKS	PARTS NAME
NO MARK	CARBON FILM RESISTOR (D=5)
[2]	CARBON FILM RESISTOR (D=10)
[Δ]	METAL OXIDE FILM RESISTOR
[⊠]	METAL FILM RESISTOR
[⊞]	METAL PLATE RESISTOR
[⊞]	FIRE PROOF CARBON FILM RESISTOR
[□]	CEMENT MOLDED RESISTOR
[⊞]	SEMI-VARIABLE RESISTOR
[■]	CHIP RESISTOR

NOTICE [mode1]

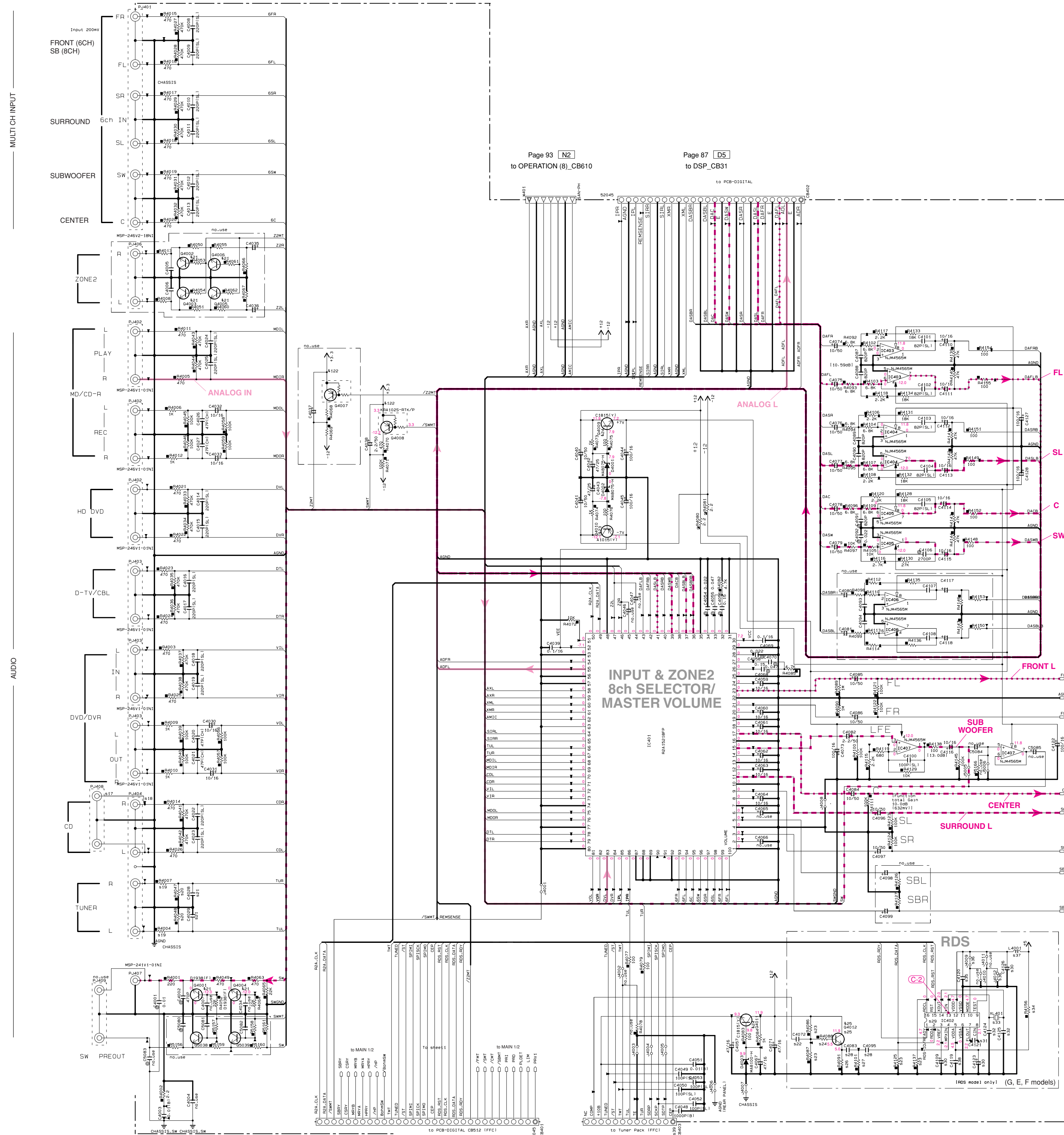
(J)..... JAPAN
(U)..... U.S.A
(C)..... CANADA
(R)..... GENERAL
(T)..... CHINA
(K)..... KOREA
(A)..... AUSTRALIA
(B)..... BRITISH
(G)..... EUROPE
(L)..... SINGAPORE
(E)..... SOUTH EUROPE
(V)..... TAIWAN
(F)..... RUSSIAN

★ All voltages are measured with a 10MΩ/V DC electronic voltmeter.
★ Components having special characteristics are marked with a triangle (Δ), and must be replaced with parts having specifications equal to those originally installed.
★ Schematic diagram is subject to change without notice.

● 電圧は、内部抵抗10MΩの電圧計で測定したものです。
● Δ印のある部品は、安全性確保部品を示しています。部品の交換が必要な場合、パーツリストに記載されている部品を使用してください。
● 本回路図は標準回路図です。改良のため予告なく変更することがございます。

1
2
3
4
5
6
7
8
9
10

MAIN 2/2



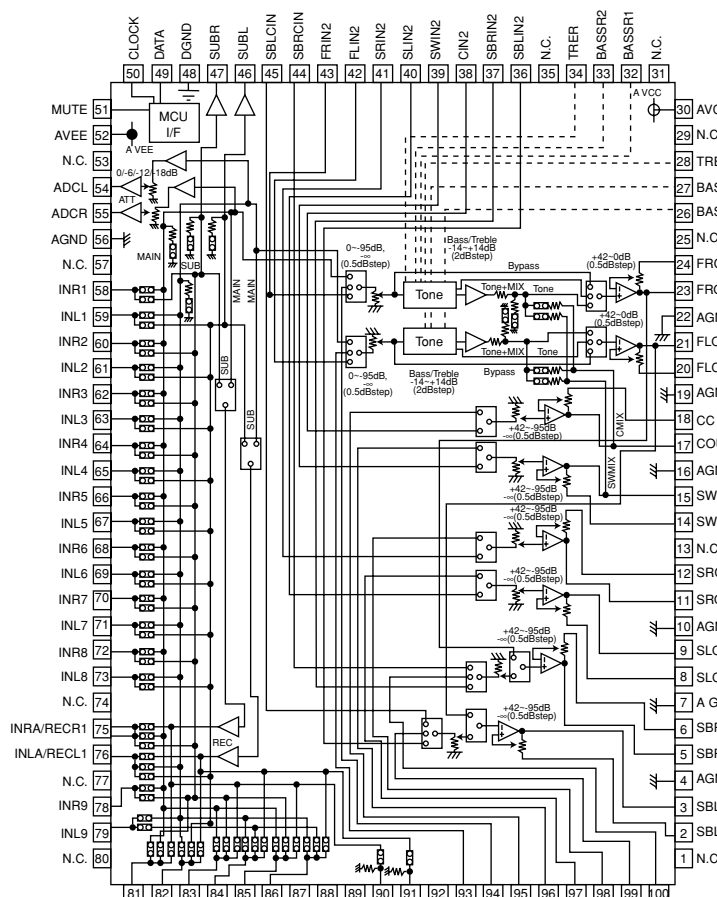
Interchangeable Parts at Manufacture-Stage

Mark	Reference Parts Number	Parts Name
421	04001-4004	25039381F 25C9381A/B1 25D9704K
422	04008	KR4102S-RTV/P DT414E4A
423	04010	25A1031Y1 N14106 Y1A1
424	04009-4011	25C18151Y1 KTC3198 Y1A1
425	04012	25C17405R/S1 25C3311ARA/G/S1

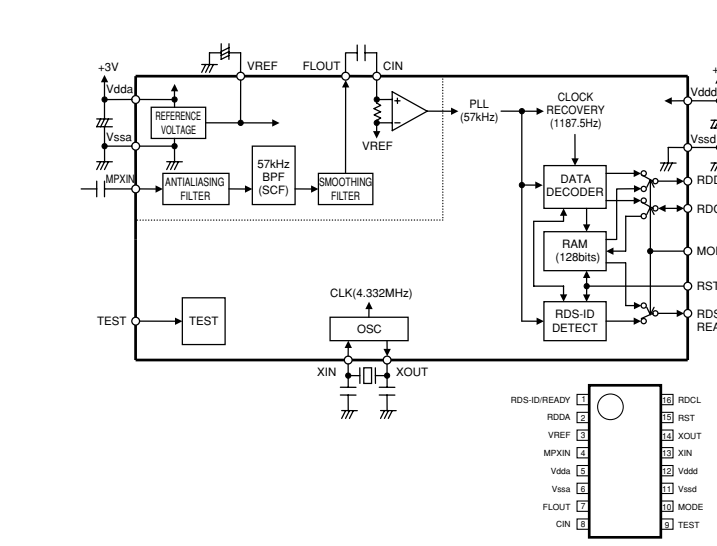
DSP PARTITION PART LIST

SXX	LOC	JC07A	KL	S	SEP
91	TE001	W526100	W56110	W56110-01	W56110
92	TE002	W526080	W56090	W56090	W56090
93	TE003	W526090	W56100	W56100-01	W56100
94	TE004	W526110	W56120	W56120-01	W56120
95	TE005	W526120	W56130	W56130-01	W56130
96	TE006	W526130	W56140	W56140-01	W56140
97	TE007	W526140	W56150	W56150-01	W56150
98	TE008	W526150	W56160	W56160-01	W56160
99	TE009	W526160	W56170	W56170-01	W56170
100	TE010	W526170	W56180	W56180-01	W56180

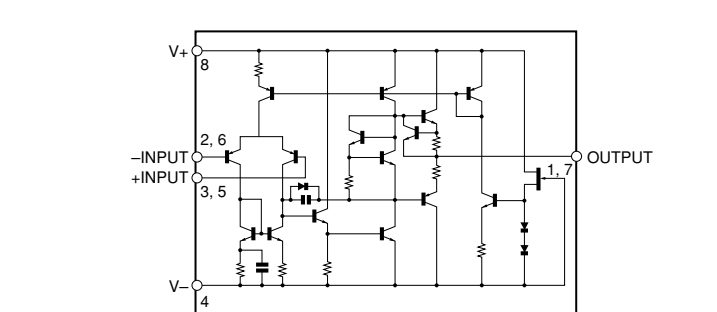
IC401: R2A15218FP
8-channel electronic volume with 11 input selector and tone control



IC402: LC72725KM-UY-TLM-E
RDS signal demodulation IC



IC403-405, 407: NJM4565M
Dual operational amplifier



CAPACITOR

REMARKS	PARTS NAME	UNIT
NO MARK	ELECTROLYTIC CAPACITOR	μF
NO MARK	TANTALUM CAPACITOR	μF
NO MARK	CERAMIC TUBULAR CAPACITOR	μF
○	POLYESTER FILM CAPACITOR	μF
○	POLYETHYLENE FILM CAPACITOR	μF
○	MICA CAPACITOR	μF
○	POLYPROPYLENE FILM CAPACITOR	μF
○	SEMICONDUCTIVE CERAMIC CAPACITOR	μF

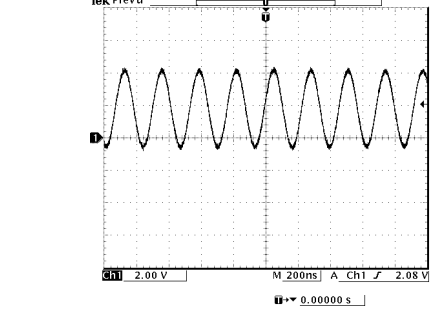
RESISTOR

REMARKS	PARTS NAME	UNIT
NO MARK	CARBON FILM RESISTOR (P=5)	Ω
NO MARK	CARBON FILM RESISTOR (P=10)	Ω
△	METAL OXIDE FILM RESISTOR	Ω
△	METAL FILM RESISTOR	Ω
△	METAL PLATE RESISTOR	Ω
△	FIRE PROOF CARBON FILM RESISTOR	Ω
△	CEMENT MOLDED RESISTOR	Ω
△	SEMI-VARIABLE RESISTOR	Ω
△	CHIP RESISTOR	Ω

NOTICE (mode)

- (J)..... JAPAN
- (U)..... U.S.A
- (C)..... CANADA
- (R)..... GENERAL
- (T)..... CHINA
- (K)..... KOREA
- (A)..... AUSTRALIA
- (B)..... BRITISH
- (G)..... EUROPE
- (L)..... SINGAPORE
- (E)..... SOUTH EUROPE
- (V)..... TAIWAN
- (F)..... RUSSIAN

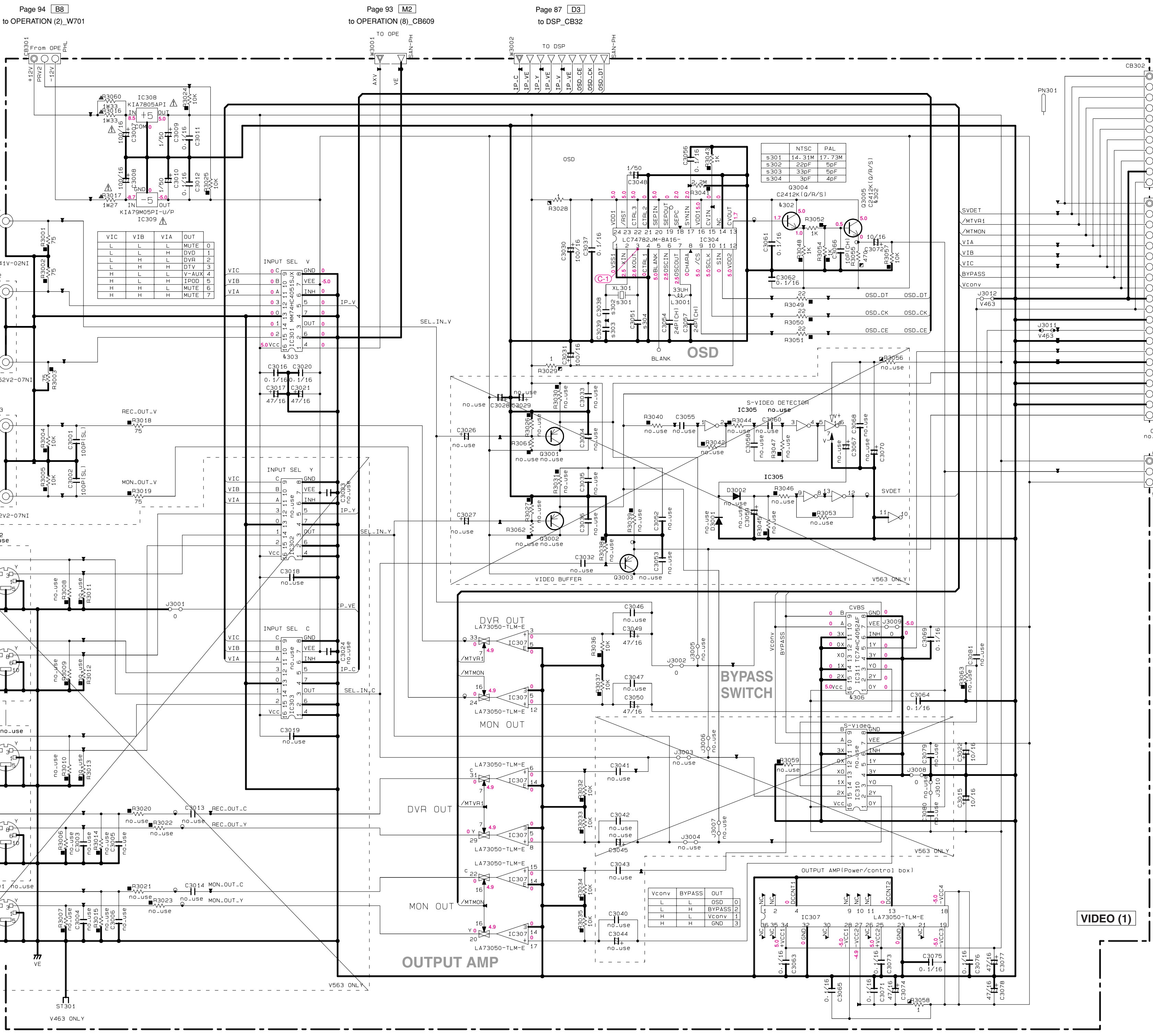
POINT (C2) XL401 (Pin 13 of IC402)



* All voltages are measured with a 10MΩ/V DC electronic voltmeter.
 * Components having special characteristics are marked ! and must be replaced with parts having specifications equal to those originally installed.
 * Schematic diagram is subject to change without notice.

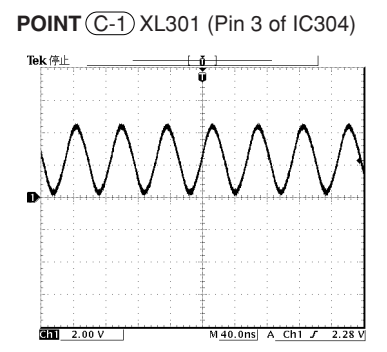
●電圧は、内部抵抗10MΩの電圧計で測定したものです。
 ●!印のある部品は、安全性確保部品を示しています。部品の交換が必要な場合、パーツリストに記載されている部品を使用してください。
 ●本回路図は標準回路図です。改良のため予告なく変更することがございます。

VIDEO 1/2



Interchangeable Parts at Manufacture-Stage

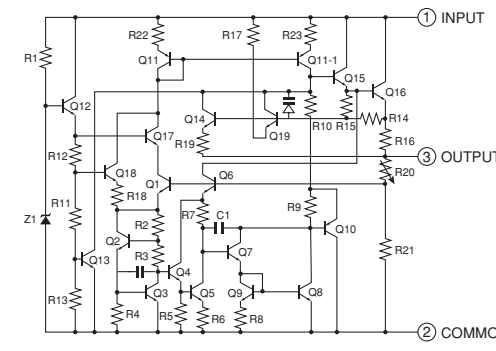
Table with 3 columns: Mark, Reference Parts Number, Parts Name. Lists various components like resistors and capacitors with their part numbers and names.



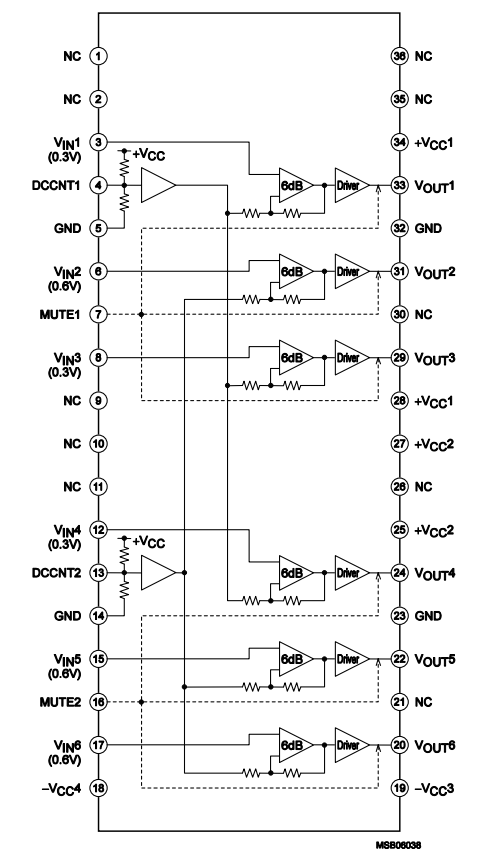
Page 86 [M3] to DSP_CB21

Page 98 [C1] to VIDEO (2)_CB325

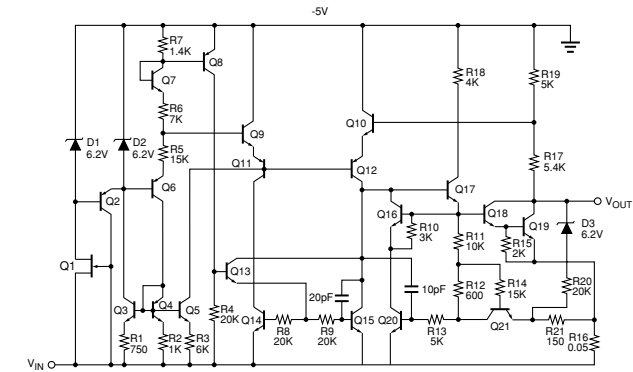
IC308: KIA7805API Voltage regulator



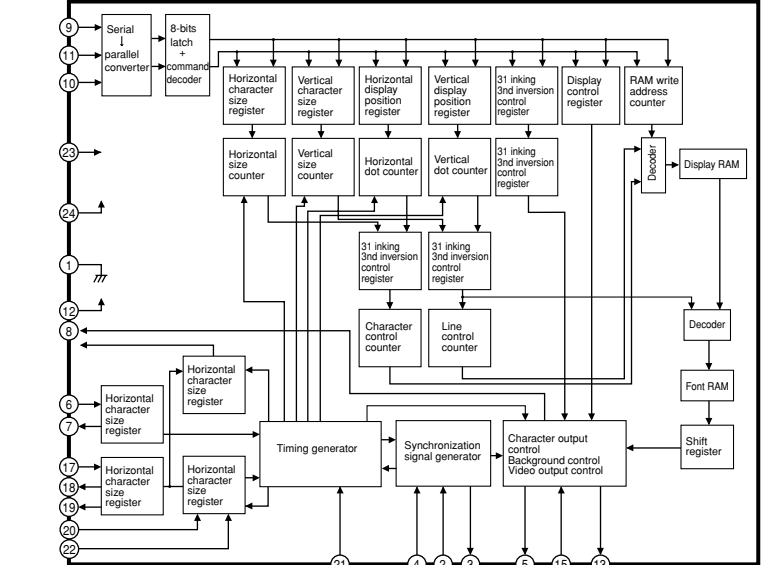
IC307: LA73050-TLM-E 6-channel 75-ohm video driver



IC309: KIA79M05PI-U Voltage regulator



IC304: LC74782JM-8A16-TLMC The on-screen display controller LSI



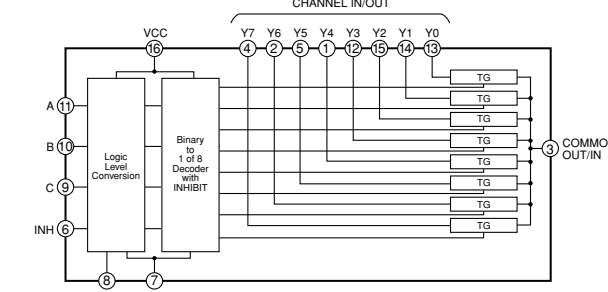
Pinout table for IC304: LC74782JM-8A16-TLMC, listing pins 1 through 24 and their functions like VDD1, Xtabn, RST, etc.

NOTICE (model) (J)..... JAPAN (U)..... U.S.A (C)..... CANADA (R)..... GENERAL (T)..... CHINA (K)..... KOREA (A)..... AUSTRALIA (B)..... BRITISH (G)..... EUROPE (L)..... SINGAPORE (E)..... SOUTH EUROPE (V)..... TAIWAN (F)..... RUSSIAN

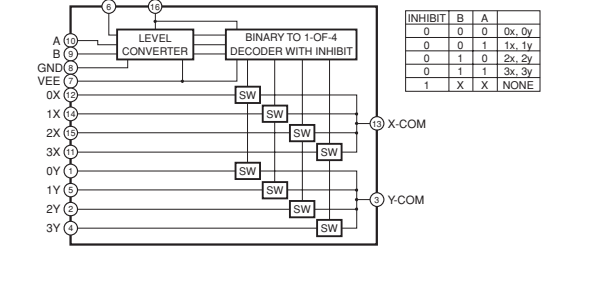
RESISTOR table with columns: REMARKS, PARTS NAME, NO MARK, CARBON FILM RESISTOR (P=5), CARBON FILM RESISTOR (P=10), METAL OXIDE FILM RESISTOR, METAL FILM RESISTOR, METAL PLATE RESISTOR, FIRE PROOF CARBON FILM RESISTOR, CEMENT MOLDED RESISTOR, SEMI VARIABLE RESISTOR, CHIP RESISTOR.

CAPACITOR table with columns: REMARKS, PARTS NAME, NO MARK, ELECTROLYTIC CAPACITOR, TANTALUM CAPACITOR, CERAMIC CAPACITOR, CERAMIC TUBULAR CAPACITOR, POLYESTER FILM CAPACITOR, POLYSTYRENE FILM CAPACITOR, MICA CAPACITOR, POLYPROPYLENE FILM CAPACITOR, SEMICONDUCTIVE CERAMIC CAPACITOR.

IC301: MM74HC4051SX 8-channel analog multiplexer

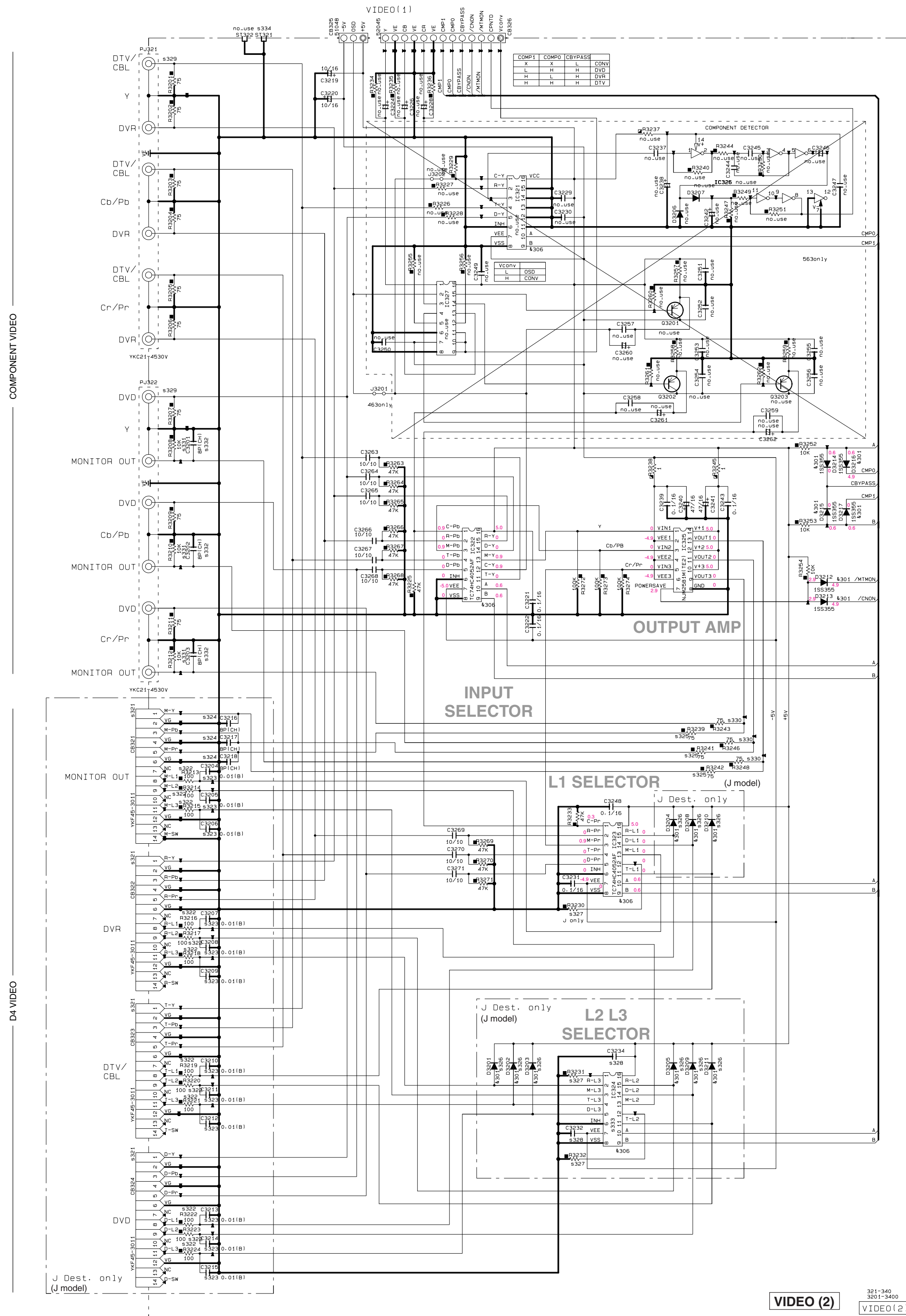


IC311: TC74HC4052AF Analog multiplexer/demultiplexer



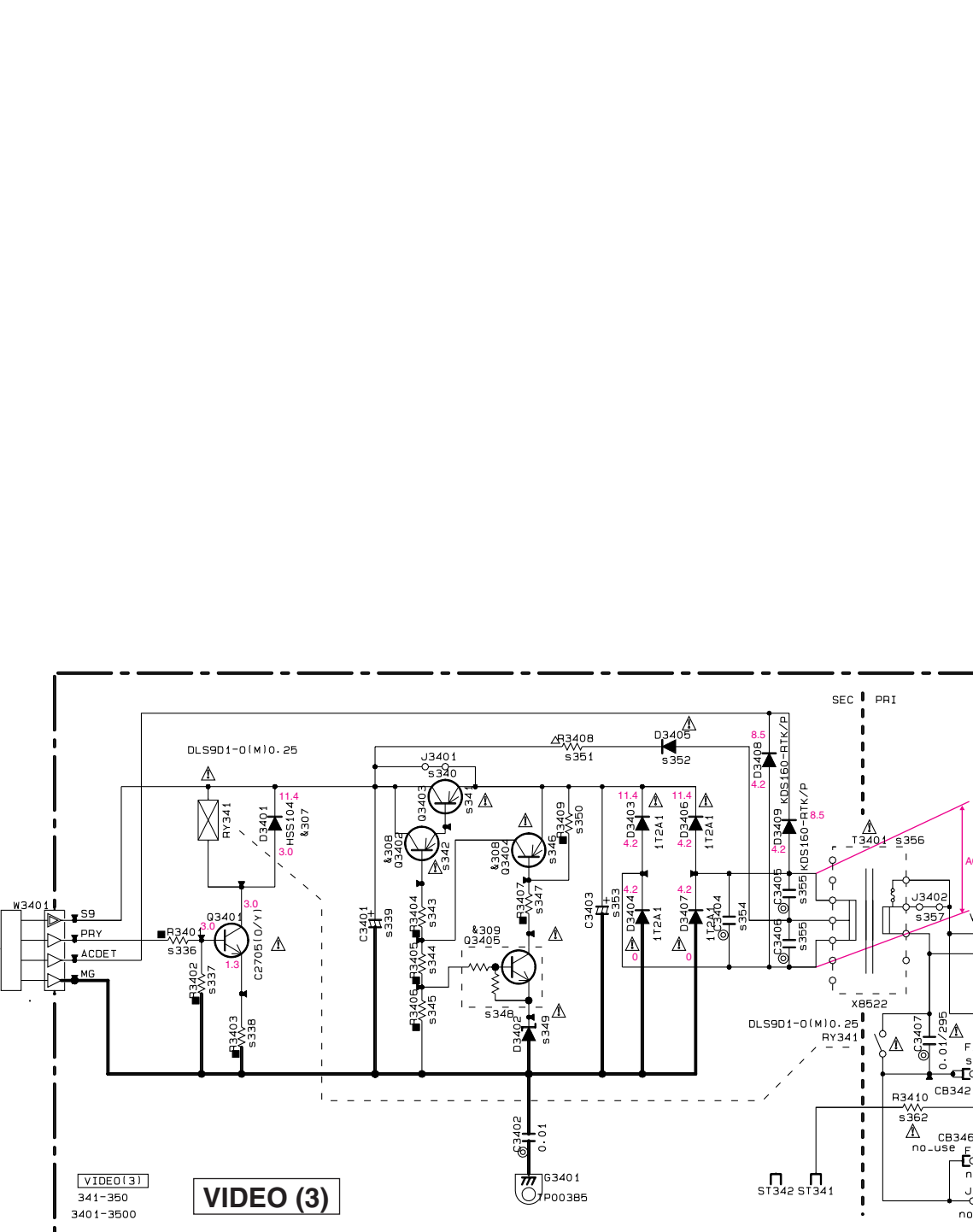
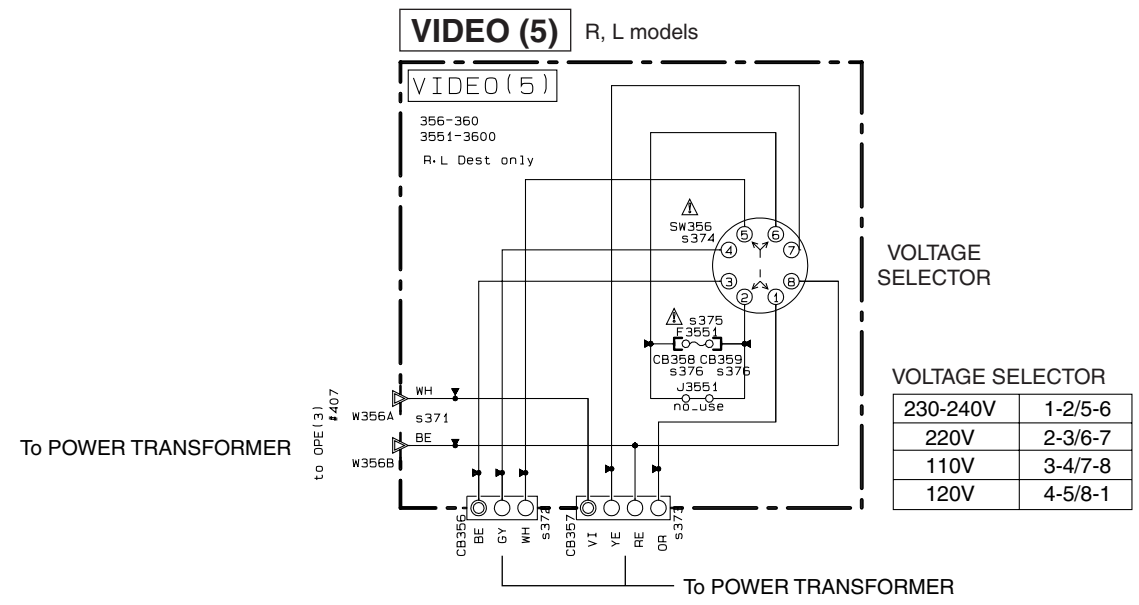
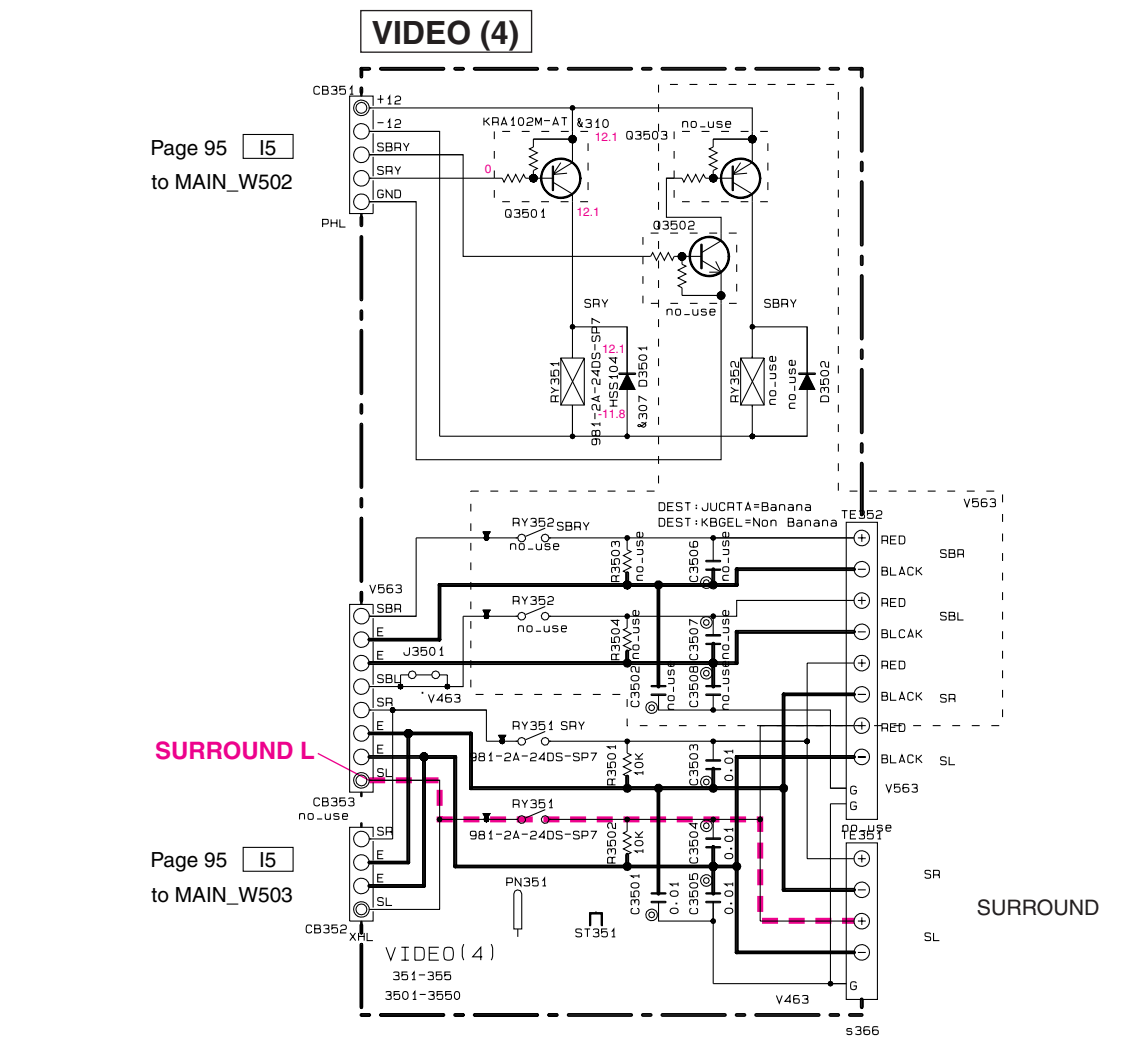
All voltages are measured with a 10MΩ/V DC electronic voltmeter. Components having special characteristics are marked with a triangle and must be replaced with parts having specifications equal to those originally installed. Schematic diagram is subject to change without notice.

電圧は、内部抵抗10MΩの電圧計で測定したものです。●印のある部品は、安全性確保部品を示しています。部品の交換が必要な場合、パーツリストに記載されている部品を使用してください。●本回路図は標準回路図です。改良のため予告なく変更することがございます。



VIDEO (1)

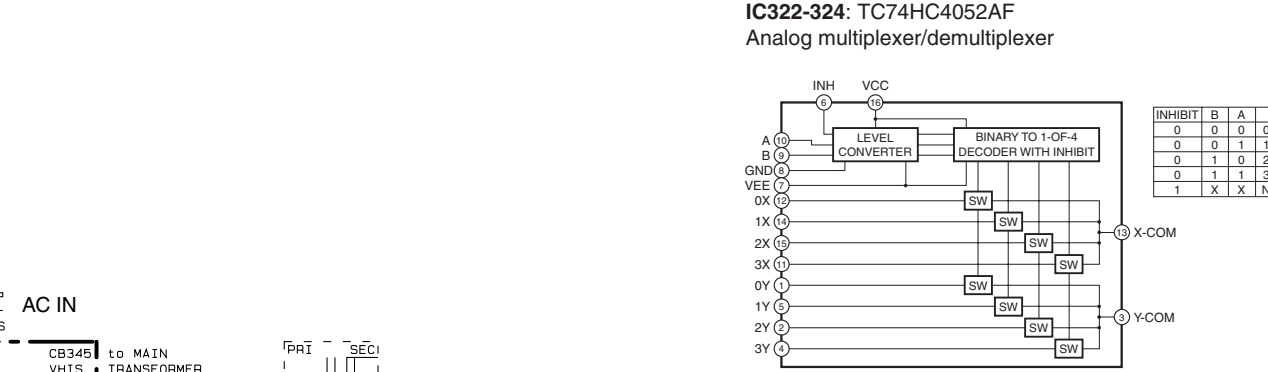
★ All voltages are measured with a 10MΩ/V DC electronic voltmeter.
 ● 電圧は、内部抵抗10MΩの電圧計で測定したものです。
 ★ Components having special characteristics are marked with a star and must be replaced with parts having specifications equal to those originally installed.
 ● 印のある部品は、安全性確保部品を示しています。部品の交換が必要な場合、パーツリストに記載されている部品を使用してください。
 ★ Schematic diagram is subject to change without notice.
 ● 本回路図は標準回路図です。改良のため予告なく変更することがございます。



VIDEO (3)

Part No.	Part Name	Quantity	Remarks
3301	DL5901-D1M10-25	1	
3302	C3038	1	
3303	C3039	1	
3304	C3061	1	
3305	R3216-R3218	3	
3306	R3219-R3224	6	
3307	R3225-R3232	8	
3308	R3233-R3234	2	
3309	R3235-R3246	12	
3310	C3201-C3203	3	
3311	C3204-C3215	12	
3312	S1321	1	
3313	R3401	1	
3314	R3402	1	
3315	R3403	1	
3316	R3404	1	
3317	R3405	1	
3318	R3406	1	
3319	R3407	1	
3320	R3408	1	
3321	R3409	1	
3322	R3410	1	
3323	R3411	1	
3324	R3412	1	
3325	R3413	1	
3326	R3414	1	
3327	R3415	1	
3328	R3416	1	
3329	R3417	1	
3330	R3418	1	
3331	R3419	1	
3332	R3420	1	
3333	R3421	1	
3334	R3422	1	
3335	R3423	1	
3336	R3424	1	
3337	R3425	1	
3338	R3426	1	
3339	R3427	1	
3340	R3428	1	
3341	R3429	1	
3342	R3430	1	
3343	R3431	1	
3344	R3432	1	
3345	R3433	1	
3346	R3434	1	
3347	R3435	1	
3348	R3436	1	
3349	R3437	1	
3350	R3438	1	
3351	R3439	1	
3352	R3440	1	
3353	R3441	1	
3354	R3442	1	
3355	R3443	1	
3356	R3444	1	
3357	R3445	1	
3358	R3446	1	
3359	R3447	1	
3360	R3448	1	
3361	R3449	1	
3362	R3450	1	
3363	R3451	1	
3364	R3452	1	
3365	R3453	1	
3366	R3454	1	
3367	R3455	1	
3368	R3456	1	
3369	R3457	1	
3370	R3458	1	
3371	R3459	1	
3372	R3460	1	
3373	R3461	1	
3374	R3462	1	
3375	R3463	1	
3376	R3464	1	
3377	R3465	1	
3378	R3466	1	
3379	R3467	1	
3380	R3468	1	

REMARKS	PARTS NAME	REMARKS	PARTS NAME
NO MARK	CARBON FILM RESISTOR (P=5)	NO MARK	ELECTROLYTIC CAPACITOR
⊗	CARBON FILM RESISTOR (P=10)	⊗	TANTALUM CAPACITOR
Δ	METAL FILM RESISTOR	NO MARK	CERAMIC CAPACITOR
⊗	METAL PLATE RESISTOR	⊗	CERAMIC TUBULAR CAPACITOR
⊗	FINE PROOF CARBON FILM RESISTOR	⊗	POLYESTER FILM CAPACITOR
⊗	CEMENT MOLDED RESISTOR	⊗	POLYSTYRENE FILM CAPACITOR
⊗	SEMI VARIABLE RESISTOR	⊗	MICA CAPACITOR
■	CHIP RESISTOR	⊗	POLYPROPYLENE FILM CAPACITOR
		⊗	SEMICONDUCTIVE CERAMIC CAPACITOR



NOTICE (model)
 (J) JAPAN
 (U) U.S.A.
 (C) CANADA
 (R) GENERAL
 (T) CHINA
 (K) KOREA
 (A) AUSTRALIA
 (B) BRITISH
 (S) EUROPE
 (L) SINGAPORE
 (V) SOUTH EUROPE
 (F) TAIWAN
 (R) RUSSIAN